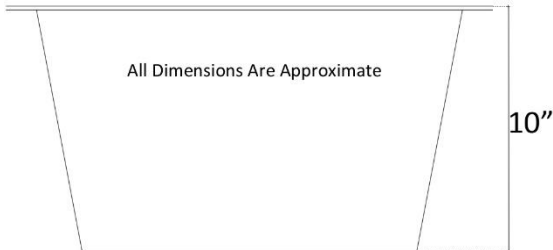
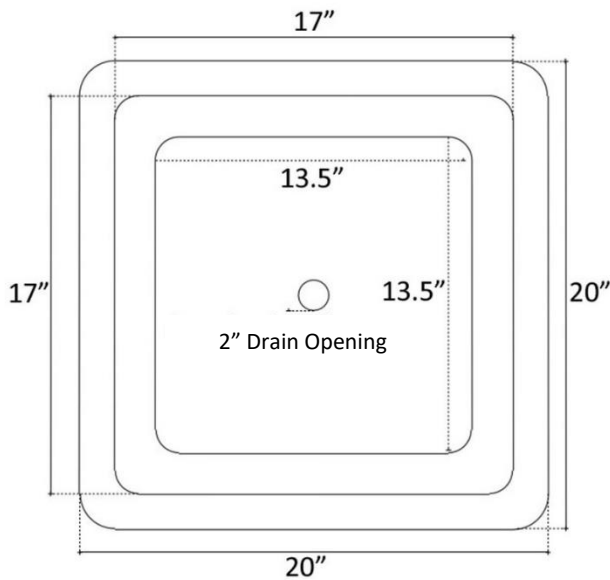




SHOWN IN SATIN NICKEL



C007-2

LARGE SQUARE

DETAILS

Installation Type: Drop-In or Undermount

Copper: DB, WC, PN, SN

Brass: PB, UB

Stainless Steel: PS, SS

Hand Hammered Metal

Uses Standard 2" Drain

No Overflow

AVAILABLE FINISHES

DB	Dark Bronze
WC	Weathered Copper
PN	Polished Nickel
SN	Satin Nickel
UB	Satin Unlacquered Brass
PB	Polished Unlacquered Brass
SS	Satin Stainless Steel
PS	Polished Stainless Steel

AVAILABLE DRAINS

D001	2" Bar Drain
-------------	--------------

INSTALLATION

Drain should be installed first.

DROP-IN: Cut opening large enough for the sink to be "dropped in" to countertop.

UNDERMOUNT: Cuts in countertop are up to the discretion of the installer. Clips or other installation method must be provided by the fabricator/installer.

Use 100% silicone to adhere sink to countertop. Clean any excess silicone from sink surface to prevent discoloration.

CARE

This sink has a living finish (excluding SS/PS) which will change with time and use. Use mild soap and water for everyday cleaning. Avoid any harsh abrasives and chemicals, acidic cleaning products, and antibacterial hand soap. A paste wax may be applied periodically to protect the finish and help with water spotting.

WARRANTY

Linkasink warranties our product to be free from manufacturing defect for the life of the product. Warranty does not cover improper care, neglect or abuse.

DIMENSIONS WILL VARY

DO NOT use this sheet as a guide for countertop cuts. Due to the handmade nature of each product, templates are not provided.

Contact: 1.866.395.8377 sales@linkasink.com

Linkasink may make changes to specifications without notice.

Visit linkasink.com for updated specification sheet.

5/19/2020