



## AG10A

Artisan Glass Small Rectangle Églomisé with Window

### DETAILS

Installation Type: Undermount

Glass (Each sink is Hand Crafted; no two sinks will be the same.)

No Overflow

### SINK FINISHES

|            |        |
|------------|--------|
| <b>BRS</b> | Brass  |
| <b>GLD</b> | Gold   |
| <b>SLV</b> | Silver |

### WINDOW FINISHES

|           |       |
|-----------|-------|
| <b>01</b> | White |
| <b>04</b> | Black |

### AVAILABLE DRAINS

|                    |                                 |
|--------------------|---------------------------------|
| <b>D004</b>        | Grid Strainer                   |
| <b>D005</b>        | Lift and Turn                   |
| <b>D006</b>        | Pop-Up with Horizontal Lift Rod |
| <b>D011 – D017</b> | Decorative Grid Strainer        |

### INSTALLATION

Use 100% silicone to adhere sink to countertop. Clean any excess silicone from sink surface. Clips are not included but may be provided by countertop fabricator. Conversion Kit for drain installation is included with each sink.

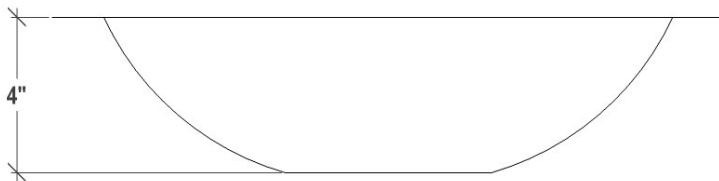
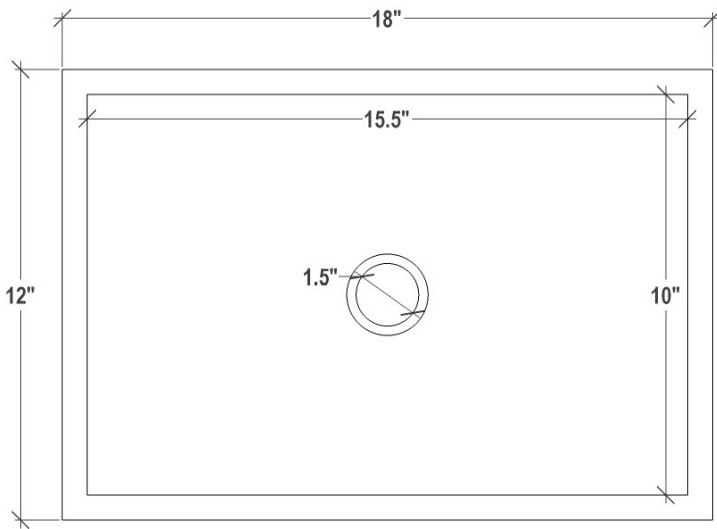
HAND TIGHTEN DRAIN

### CARE

Mild soap and water for everyday cleaning. Non-ammonia based glass cleaner may also be used. No harsh or acidic cleaning products.

### WARRANTY

Linkasink warranties our product to be free from manufacturing defect for the life of the product. Warranty does not cover abuse.



### DIMENSIONS WILL VARY

**DO NOT** use this sheet as a guide for countertop cuts. Due to the handmade nature of each product, templates are not provided.