

AC08

Henry 36" Trough Sink

36" x 15" x 5.75" OD, 33" x 12" ID, 1.5" drain opening

DETAILS

Installation Type: Drop-in or Undermount

Concrete (Each sink is Hand Crafted; no two sinks will be the same.)

No Overflow

SINK FINISHES

G Gray

B Black

AVAILABLE DRAINS

D004	Grid Strainer
D006	Pop-Up with Horizontal Lift Rod

AVAILABLE DECORATIVE GRATES

GCM002 SS satin stainless steel

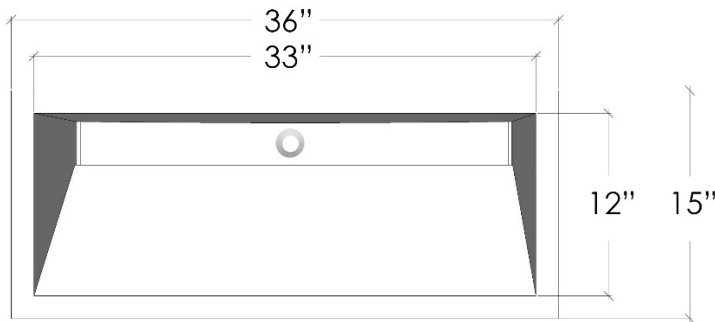
GCM002 PS polished stainless steel

GCM002 SBC satin brass coated

GCM002 PBC polished brass coated

GCM002 BCS satin black

GCM002 BCP polished black



INSTALLATION

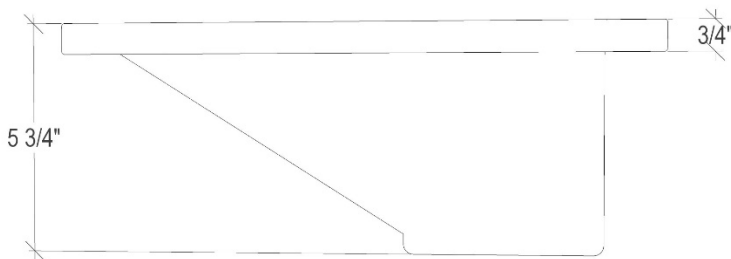
Use 100% silicone to adhere sink to countertop. Clean any excess silicone from sink surface. Clips are not included but may be provided by countertop fabricator. Conversion Kit for drain installation is included with each sink.

CARE

Mild soap and water for everyday cleaning. No harsh or acidic cleaning products. Apply a concrete sealer occasionally.

WARRANTY

Linkasink warranties our product to be free from manufacturing defect for the life of the product. Warranty does not cover abuse.



DIMENSIONS WILL VARY

DO NOT use this sheet as a guide for countertop cuts. Due to the handmade nature of each product, templates are not provided.