



VAN30B-014

30" BLACK DIVERGENCE WITH ARTISAN GLASS HARDWARE
BLACK PRISM GLASS

DETAILS

- 1" Plywood Construction
- Gloss Finish
- Full 3/4" Finished Back
- Adjustable Interior Shelf
- 3 Way Adjustable European Soft Close Hinges
- Multiple Leg Height Options

HARDWARE AND LEG FINISH OPTIONS

PB	Polished Brass
SB	Satin Brass

30" VANITY TOP OPTIONS

(See Vanity Top Spec Sheet for Details)

Outside Diameter W 30" D 22" H 1.5" Includes 4" Backlash

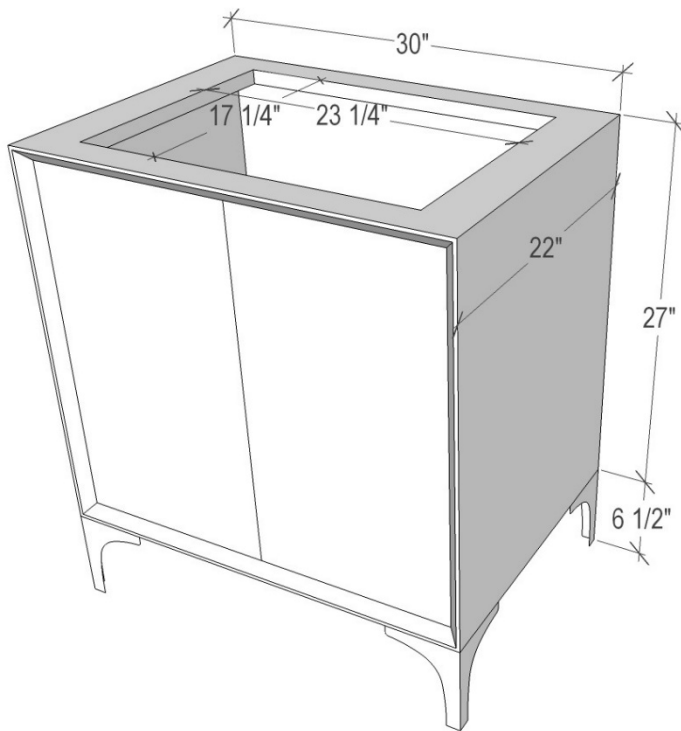
VT30W-01	18" x 12" Sink Cutout with 1 Faucet Hole
VT30W-03	18" x 12" Sink Cutout with 3 Faucet Holes

CARE

Clean with mild soap. No abrasive chemicals

WARRANTY

Linkasink warranties our product to be free from manufacturing defect for the life of the product. Warranty does not cover abuse.



Contact: 1.866.395.8377 sales@linkasink.com
Linkasink may make changes to specifications without notice.
Visit linkasink.com for updated specification sheet.
7/19/2022