



VAN24B-002

24" BLACK DIVERGENCE VANITY

DETAILS

- 1" Plywood Construction
- Gloss Finish
- Full 3/4" Finished Back
- Adjustable Interior Shelf
- 3 Way Adjustable European Soft Close Hinges
- Multiple Leg Height Options

HARDWARE AND LEG FINISH OPTIONS

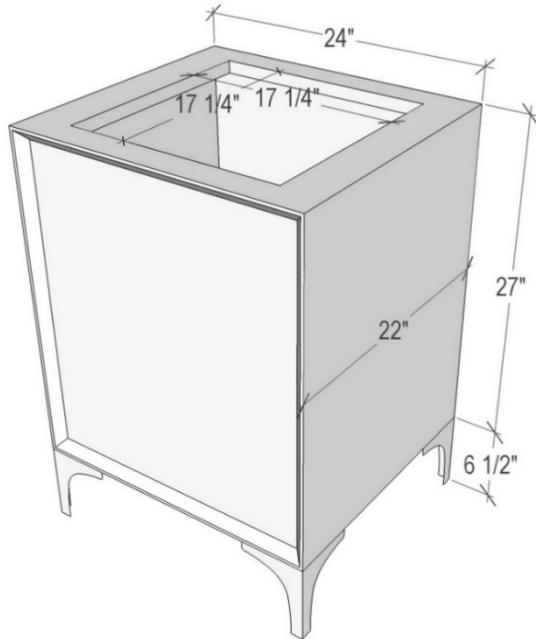
PB	Polished Brass
SB	Satin Brass

24" VANITY TOP OPTIONS

(See Vanity Top Spec Sheet for Details)

Outside Diameter W 24" D 22" H 1.5" Includes 4" Backlash

VT24W-01	14" x 14" Sink Cutout with 1 Faucet Hole
VT24W-03	14" x 14" Sink Cutout with 3 Faucet Holes



CARE

Clean with mild soap. No abrasive chemicals

WARRANTY

Linkasink warranties our product to be free from manufacturing defect for the life of the product. Warranty does not cover abuse.