

CS019

SMOOTH LARGE FLAT ROUND BAR

DETAILS

Installation Type: Drop-In or Undermount

Smooth Metal

OD: 19" x 8"

ID: 17"

Uses Standard 3.5" Drain, No Overflow

Each sink is hand-crafted; no two sinks will be the same
NOTE: Due to the handmade nature of the sink, dimensions are approximate and variations in the smooth metal may be visible.

AVAILABLE FINISHES		BASE MATERIAL
SRG	Satin Rose Gold	Copper
PRG	Polished Rose Gold	Copper
SS	Satin Stainless Steel	Stainless Steel
PS	Polished Stainless Steel	Stainless Steel
UB	Satin Unlacquered Brass	Brass
PB	Polished Unlacquered Brass	Brass

AVAILABLE DRAINS

D003	3.5 " Basket Strainer
D007	3.5 " Disposal Flange
D051-D057	3.5 " Decorative Basket Strainers
D071-D077	3.5 " Decorative Disposal Flange

INSTALLATION

DROP-IN: Cut opening large enough for the sink to be "dropped in" to countertop.

UNDERMOUNT: Cuts in countertop are up to the discretion of the installer. Clips or other installation method must be provided by the fabricator/installer.

Use silicone adhesive to adhere sink to countertop. Clean any excess silicone from sink surface to avoid damaging the finish.

CARE

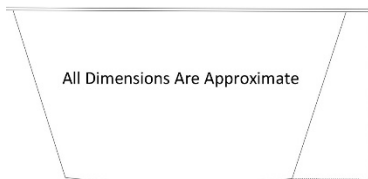
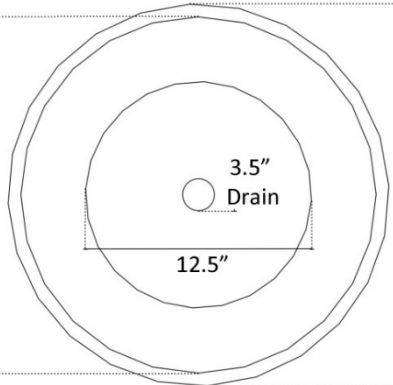
This sink has a living finish (excluding SS/PS) which will change with time and use. Use mild soap and water for everyday cleaning. Avoid any harsh abrasives, acidic cleaning products and antibacterial hand soap. A clear paste wax may be applied periodically to protect the finish and help with water spotting.

WARRANTY

Linkasink warranties our product to be free from manufacturing defect for the life of the product. Warranty does not cover improper care, neglect, abuse, or normal wear-and-tear.



Shown in PB



DIMENSIONS WILL VARY

DO NOT use this sheet as a guide for countertop cuts. Due to the handmade nature of each product, templates are not provided.