



DDM

DECORATIVE POP-UP DRAIN MECHANISM

DETAILS

Materials (Top): Zinc Alloy

Materials (Drain): Brass Construction

Finishes are plated

Available WITH overflow or NO overflow (specify)

Push down to close, push down again to open

NO set screw for drain top (it rests on the pin to allow for easy removal for cleaning)



DDMDB NO DDMDB O DDMPC NO DDMPC O

AVAILABLE FINISHES

DDMDB | Dark Bronze (Only for DB, WC decorative drain top finishes)

DDMPC | Polished Chrome (Only for PN, SN decorative drain top finishes)

AVAILABLE OVERFLOW TYPES

NO | No Overflow
O | With Overflow

INCLUDED WITH DECORATIVE DRAIN TOP OPTIONS

D212	Shell	D708	Dogwood	D717	Asscher
D602	Round	D709	Floral	D718	Chiseled
D703	Star	D710	Swirl	D719	Reeded
D704	Pebbles	D714	Vine	D720	Celtic Knot

INSTALLATION

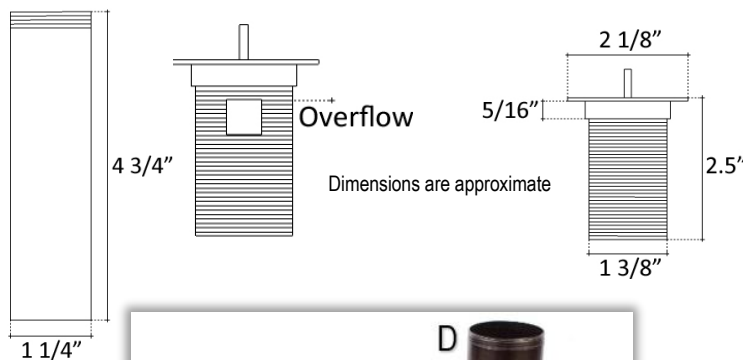
We recommend consulting a professional if you are unfamiliar with installing bathroom fixtures and plumbing. Linkasink accepts no liability for any damage to the floor, walls, plumbing, or personal injury during installation.

CARE

Use mild soap and water for everyday cleaning. Avoid any harsh abrasives, chemicals, and acidic cleaning products. A soft toothbrush may be used for more thorough cleaning, but be careful not to damage the plated finish. A paste wax may be applied periodically to protect the finish and help with water spotting.

WARRANTY

Linkasink warranties our product to be free from manufacturing defect for the life of the product. Warranty does not cover improper care, neglect or abuse.



DIMENSIONS WILL VARY

DO NOT use this sheet as a guide for countertop cuts. Due to the handmade nature of each product, templates are not provided.