



LEFROY BROOKS

1 8 2 8 T R O U T M A N S T R E E T
R I D G E W O O D N E W Y O R K N Y 1 1 3 8 5 U S A
T : + 1 (7 1 8) 3 0 2 5 2 9 2 F : + 1 (7 1 8) 3 0 2 4 1 7 7

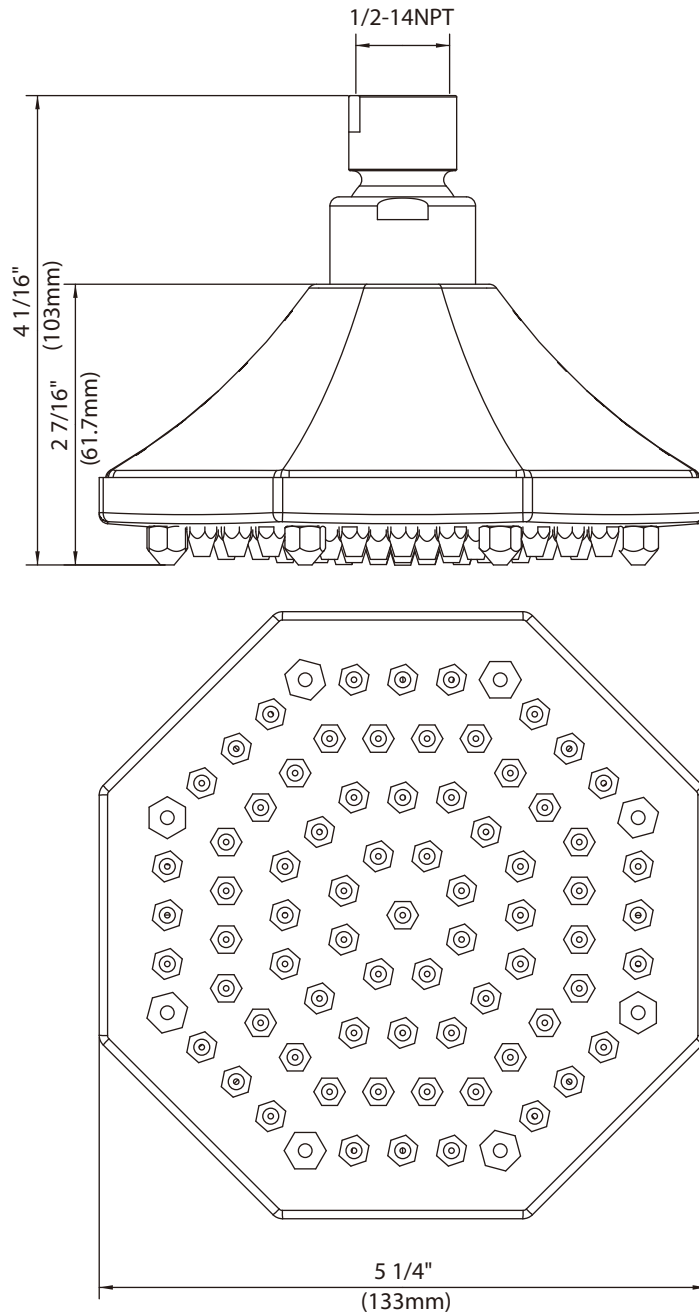
M1-4610

5-INCH WALL SHOWER ROSE

DIMENSIONAL DATA SHEET

DATE: 08 October 2015

No: S1113501



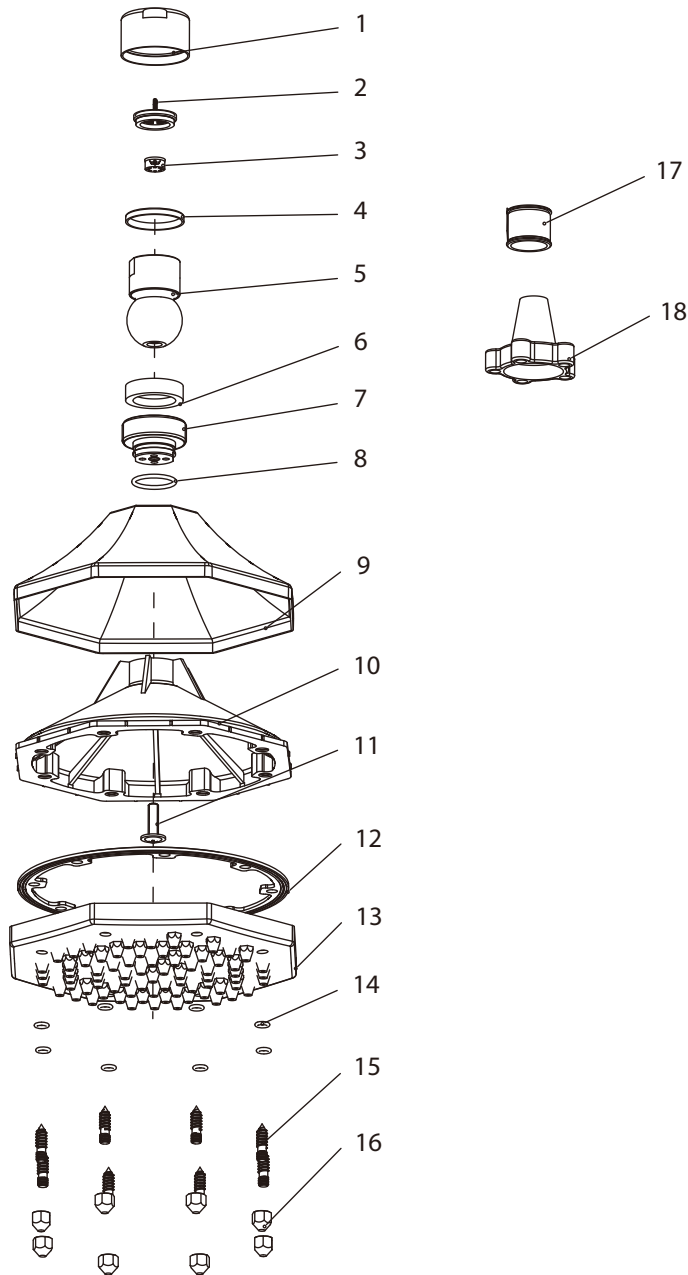
COPYRIGHT © LBIF LTD 2012. ALL RIGHTS RESERVED.

DIMENSIONS IN INCHES & MILLIMETRES

WHILST EVERY EFFORT IS MADE TO ENSURE THE ACCURACY OF THESE DATA SHEETS THEY ARE SUBJECT TO CHANGE WITHOUT NOTICE AS PART OF THE COMPANY'S PRODUCT DEVELOPMENT PROCESS

M1-4610

5-INCH WALL SHOWER ROSE



- 1 Nut (070039)
- 2 Filter (112383)
- 3 Restrictor valve (519237)
- 4 Washer (060151)
- 5 Ball-joint (057861)
- 6 Oil-seal (058001)

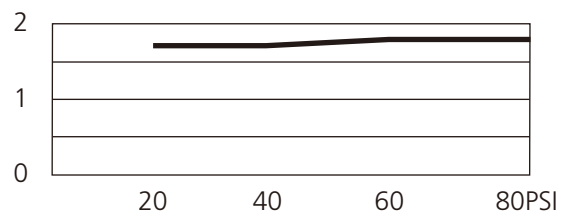
- 7 Adaptor (077004)
- 8 O-ring (004015N)
- 9 Main body (066059)
- 10 Lining (112269)
- 11 Screw (008143)
- 12 Oil-seal (068032)

- 13 Front plate (112135)
- 14 O-ring (004058)
- 15 Screw (065179)
- 16 Nut (053084)
- 17 Wrench (031008)
- 18 Teflon tape (203000)

Standards

IAPMO/cUPC Listed
Meets A112.18.1

Flow Rate



Please note :

Final achievable flow rate is dependent on the outlets fitted, see relevant outlets (spouts, roses, sprays) for fully assembled product flow rate.