

## PALACE



### 870435

Ceramic Shelf, 1300 x 380 mm, cuttable

#### Dimensions

Length: 51 3/16 inch  
 Width: 14 15/16 inch  
 Height: 1 6/16 inch

Options	null (Lb)
---------	-----------

000 standard option	55.22 Lb
---------------------	----------

#### Mounting accessories included

3x Mounting set M 6/16" x 5 8/16" (M10 x 140 mm), part nr. 899882

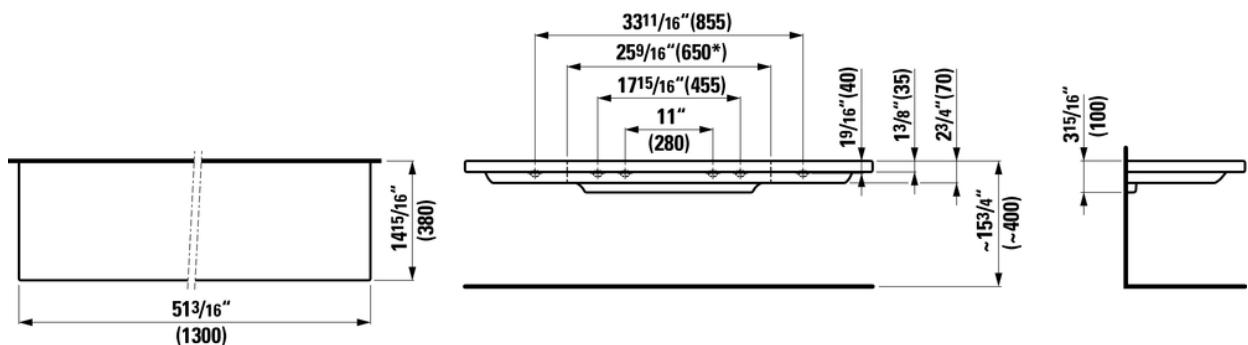
#### Colours and finishes

000 White

#### Specification text

Ceramic Shelf LIVING  
 Vitreous China  
 Features:  
 Shelf, wall mounted  
 Cuttable to 25 9/16" (650 mm)  
 Limited 5 years warranty

#### Technical drawings



\* = minimum measure for cutting