

## PALACE



**870434**

Ceramic Shelf, 1200 x 380 mm, cuttable

### Dimensions

Length: 47 4/16 inch  
 Width: 14 15/16 inch  
 Height: 1 6/16 inch

| Options | null (Lb) |
|---------|-----------|
|---------|-----------|

|                     |          |
|---------------------|----------|
| 000 standard option | 50.82 Lb |
|---------------------|----------|

### Mounting accessories included

3x Mounting set M 6/16" x 5 8/16" (M10 x 140 mm), part nr. 899882

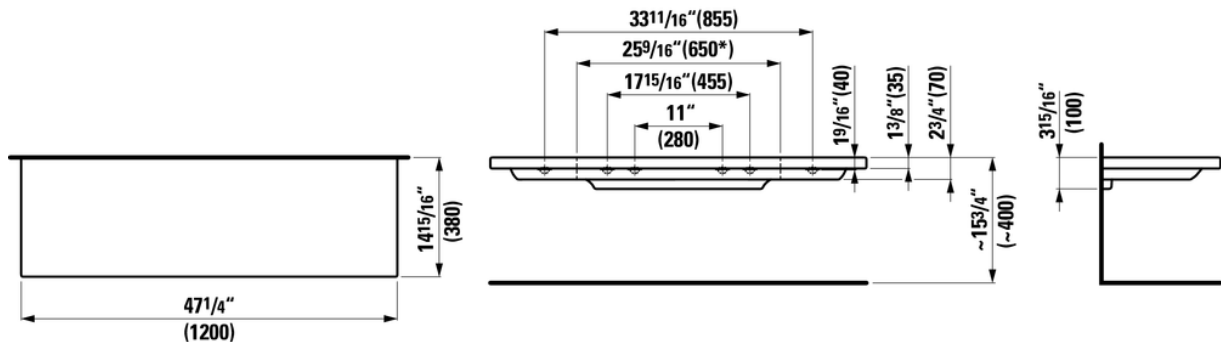
### Colours and finishes

000 White

### Specification text

Ceramic Shelf LIVING  
 Vitreous China  
 Features:  
 Shelf, wall mounted  
 Cuttable to 25 9/16" (650 mm)  
 Limited 5 years warranty

### Technical drawings



\* = minimum measure for cutting