

LIVING



816433

Washbasin, cuttable to 650 mm

Dimensions

Length: 35 7/16 inch
 Width: 18 14/16 inch
 Height: 1 9/16 inch

Options	Weight (Lb)
104 one tap hole, center	48.18 Lb
109 without tap hole	48.18 Lb
136 three tap holes US/CAN, 8 inch spread	48.18 Lb

Mounting accessories excluded

Mounting set M 6/16" x 5 8/16" (M10 x 140 mm), part nr. 899882

Related products

401262 Vanity unit, 2 drawers,
 incl. drawer organizer, matching washbasin 816433

Colours and finishes

000 White

Specification text

Washbasin Console LIVING SQUARE

Fine Fireclay

Inside dimensions: 21 4/16" x 11 10/16"

Meets or exceeds the following:

ASME A112.19.2, cUPC/IAPMO listed

Features:

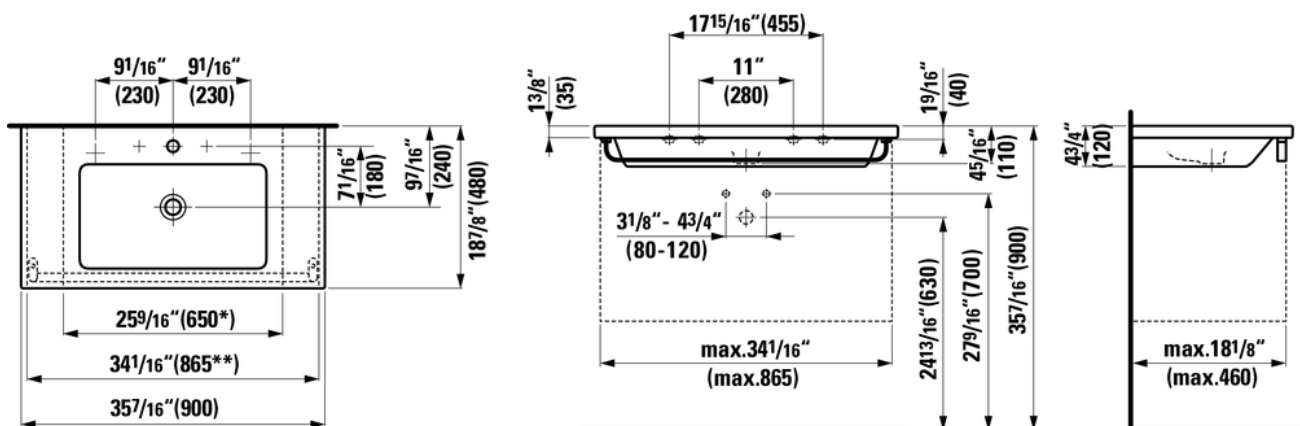
Rectangular basin, wall mounted, cuttable to 25 9/16"

With overflow slot, with tap bank

Overflow channel glazed

Limited 5 year warranty

Technical drawings



* = minimum measure for cutting / ** = minimum measure for cutting with towel rail

LIVING

