

LAUFEN PRO S



815961

Small Washbasin, wall mounted

Dimensions

Length: 17 11/16 inch
 Width: 13 6/16 inch
 Height: 3 6/16 inch

Options	null (Lb)
104 one tap hole, center	22 Lb
109 without tap hole	22 Lb

Mounting accessories included

Mounting set M 6/16" x 5 8/16" (M10 x 140 mm), part nr. 899882

Related products

819964 Siphon cover plate for small washbasin
 402111 Vanity unit, 1 door, door hinge left, incl. drawer organizer, matching small washbasin 815961
 402112 Vanity unit, 1 door, door hinge right, incl. drawer organizer, matching small washbasin 815961

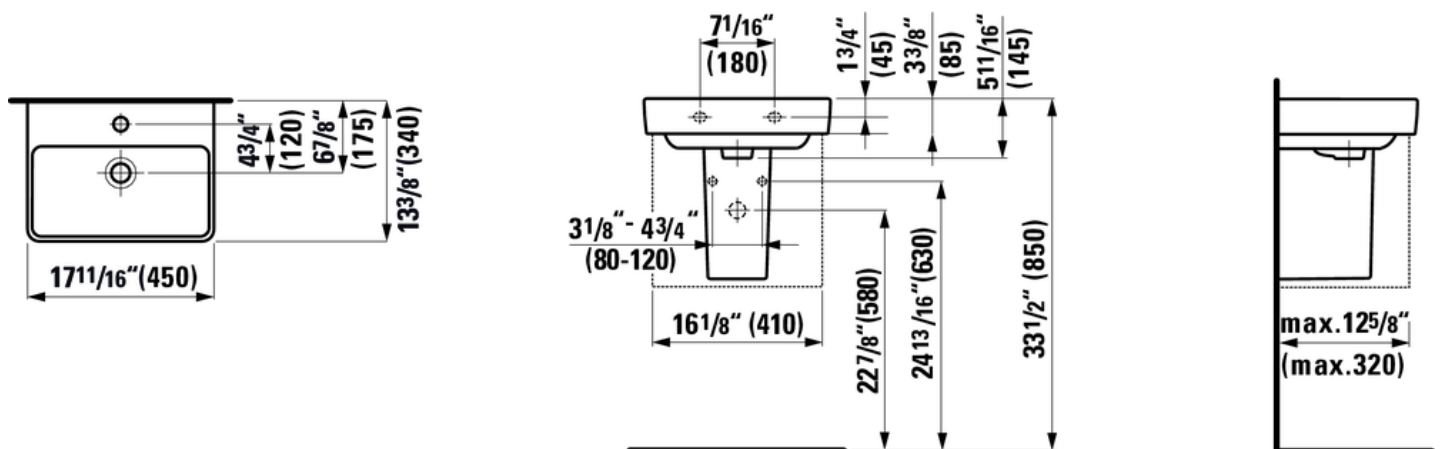
Colours and finishes

000 White

Specification text

Small Washbasin Console LAUFEN PRO S
 Vitreous China
 Inside dimensions: 16 5/16" x 8 3/16"
 Meets or exceeds the following:
 ASME A112.19.2, cUPC/IAPMO listed
 Features:
 Rectangular basin, wall mounted
 With overflow slot, overflow channel glazed
 Limited 5 year warranty

Technical drawings



LAUFEN PRO S



LAUFEN PRO S

