

## LAUFEN PRO S



### 814965 Washbasin, wall mounted

#### Dimensions

Length:	47 4/16 inch
Width:	18 5/16 inch
Height:	3 12/16 inch

Options	null (Lb)
104 one tap hole, center	79.2 Lb
109 without tap hole	79.2 Lb
136 three tap holes US/CAN, 8 inch spread	79.2 Lb

#### Mounting accessories included

Mounting set M 6/16" x 5 8/16" (M10 x 140 mm), part nr. 899882

#### Related products

- 819962 Pedestal for washbasin
- 819963 Siphon cover plate for washbasin
- 385963 Washbasin frame, chromed, matching washbasins 814965
- 402492 Vanity unit, 2 drawers, incl. drawer organizer, matching washbasin 814965

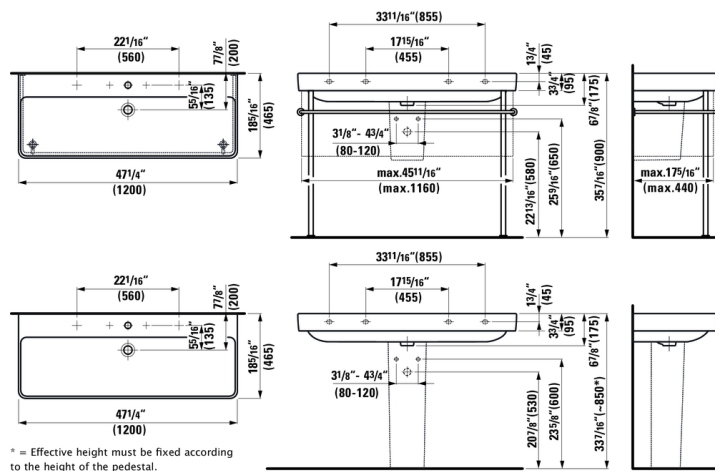
#### Colours and finishes

000 White

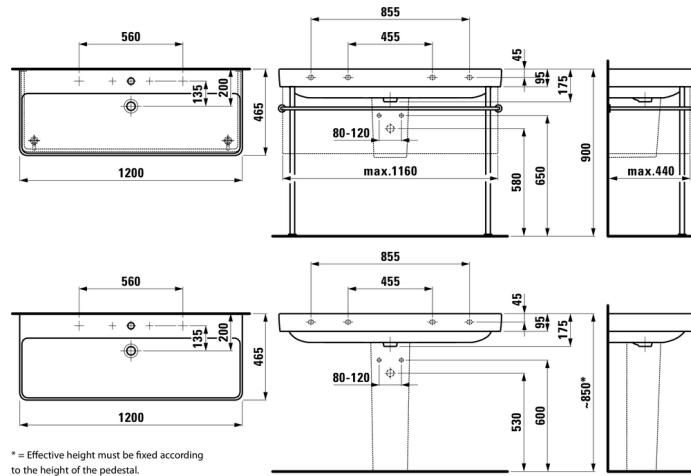
#### Specification text

Washbasin Console LAUFEN PRO S  
Vitreous China  
Inside dimensions: 44 8/16" x 11 4/16"  
Meets or exceeds the following:  
ASME A112.19.2, cUPC/IAPMO listed  
Features:  
Rectangular basin, wall mounted  
With overflow slot, overflow channel glazed  
Limited 5 year warranty

#### Technical drawings



## LAUFEN PRO S



## LAUFEN PRO S

