

THE NEW CLASSIC



813858

Washbasin Console, wall mounted

Dimensions

Length: 47 4/16 inch
 Width: 18 14/16 inch
 Height: 2 15/16 inch

Options

Options	null (Lb)
104 one tap hole, center	58.52 Lb
107 two tap holes	58.52 Lb
109 without tap hole	58.52 Lb
136 three tap holes US/CAN, 8 inch spread	58.52 Lb

Mounting accessories included

2x Mounting set M 6/16" x 5 8/16" (M10 x 140 mm), part nr. 899882

Related products

406051 Vanity unit, 1 drawer, matches vanity washbasin 813858
 406073 Washbasin frame, matching vanity washbasin 813858
 406052 Vanity unit, 2 drawers, matches vanity washbasin 813858
 898188 Open waste valve with SaphirKeramik cover

Colours and finishes

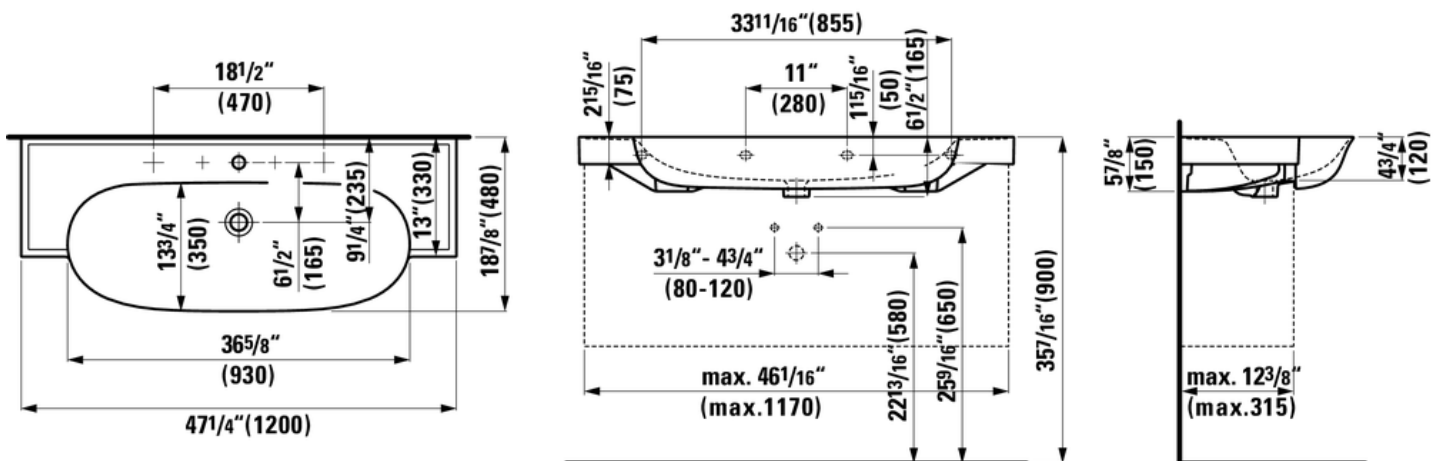
000 White

757 White
Matte

Specification text

Double Washbasin Console THE NEW CLASSIC
 SaphirKeramik (unique extra strong ceramic material)
 Inside dimensions: 36 5/8" x 13 3/4"
 Meets or exceeds the following:
 ASME A112.19.2 cUPC/IAPMO listed
 Features:
 Asymmetric basin, wall mounted
 With overflow slot, with tap bank
 Overflow channel glazed
 Limited 5 years warranty

Technical drawings



THE NEW CLASSIC

