

SONAR



812342

Washbasin Bowl, Counter Mounted

Dimensions

Length:	16 2/16 inch
Width:	14 6/16 inch
Height:	5 8/16 inch

Options

Options	null (Lb)
112 without tap hole, without overflow hole	14.52 Lb

Mounting accessories included

SaphirKeramik valve cover plate, part nr. 893343
 Template, part nr. 893345
 Mounting set, part nr. 894961
 Valve without overflow always open, part nr. 893344

Mounting accessories excluded

Design siphon with siphon cover DN 32 chrome, part nr. 374980

Related products

- 405401 Drawer element, 1 drawer, matching bowl washbasins 812340, 812341, 812342, 812343, centre cut-out
- 405405 Drawer element, 1 drawer, matching bowl washbasins 812340, 812341, 812342, 812343, centre cut-out incl. drilled tap hole
- 405411 Drawer element, 1 drawer, matching bowl washbasins 812340, 812341, 812342, 812343, centre cut-out
- 405415 Drawer element, 1 drawer, matching bowl washbasins 812340, 812341, 812342, 812343, centre cut-out incl. drilled tap hole
- 405421 Drawer element, 1 drawer, matching bowl washbasins 812340, 812341, 812342, 812343, centre cut-out
- 405422 Drawer element, 1 drawer, matching bowl washbasins 812340, 812341, 812342, 812343, cut-out left
- 405423 Drawer element, 1 drawer, matching bowl washbasins 812340, 812341, 812342, 812343, cut-out right
- 405424 Drawer element, 1 drawer, matching bowl washbasins 812340, 812341, 812342, 812343, cut-outs left and right
- 405425 Drawer element, 1 drawer, matching bowl washbasins 812340, 812341, 812342, 812343, centre cut-out incl. drilled tap hole
- 405426 Drawer element, 1 drawer, matching bowl washbasins 812340, 812341, 812342, 812343, cut-out left, incl. drilled tap hole
- 405427 Drawer element, 1 drawer, matching bowl washbasins 812340, 812341, 812342, 812343, cut-out right, incl. drilled tap hole
- 405428 Drawer element, 1 drawer, matching bowl washbasins 812340, 812341, 812342, 812343, cut-outs left and right incl. drilled tap holes

Colours and finishes

000 White

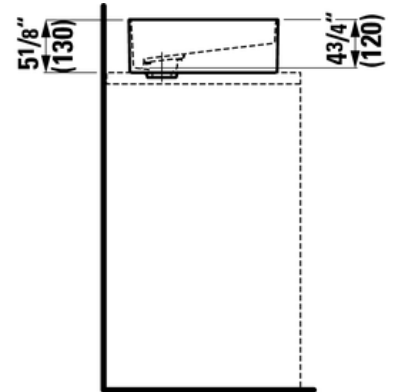
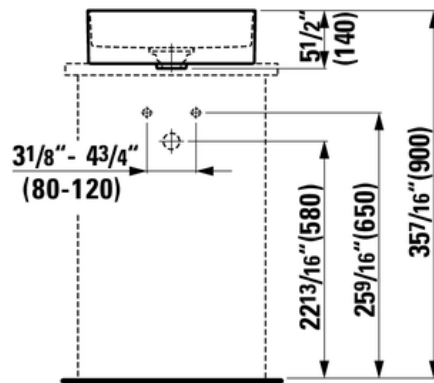
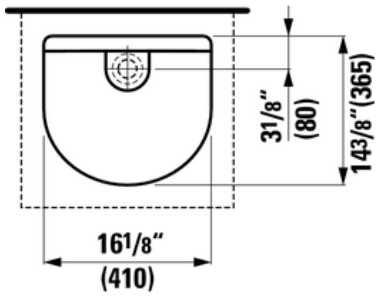
757 White
Matte

Specification text

Washbasin Bowl SONAR
 SaphirKeramik (unique extra strong ceramic material)
 Meets or exceeds the following:
 ASME A112.19.2 cUPC/IAPMO listed
 Features:
 Asymmetric basin
 Without overflow, without tap hole, without tap bank
 SaphirKeramik valve cover plate included
 Limited 5 year warranty

Technical drawings

SONAR



SONAR



SONAR

