

# LENOVA

4580 W Roosevelt Rd Hillside, IL 60162 [www.Lenovasinks.com](http://www.Lenovasinks.com) Phone: 877-733-1098

## SPECIFICATIONS

## MODEL PU-901B

### GENERAL

Fine quality bathroom square sink formed of vitreous china

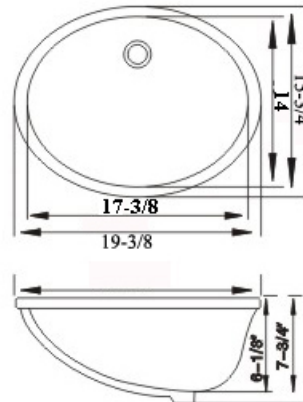
### DESIGN FEATURES

Single bowl depth 6" with inside bowl dimensions 17-3/8" X14" and over all 19-3/8" X 15-3/4"

**Color:** Bisquite

**Mount Style:** Undermount

**Other:** Drain opening 1-3/4".



### CUPC certified

Minimum cabinet size 21"

Product shall be specified as PU-901B

### Warranty:

Limited Life Time warranty against manufacturer defects and craftsmanship.

### Codes/Standards Applicable:

ASME A112.19.2 ASME A112.19.14/CSA B45.1

\*Template and mounting clips are packed with every sink