

# LENOVA

4580 W Roosevelt Rd Hillside, IL 60162 Phone: 312-733-1098

www.LenovaSinks.com Email: order@LenovaSinks.com

## SPECIFICATIONS

## MODEL UB-094W

### GENERAL

Fine quality bathroom square sink formed of vitreous china

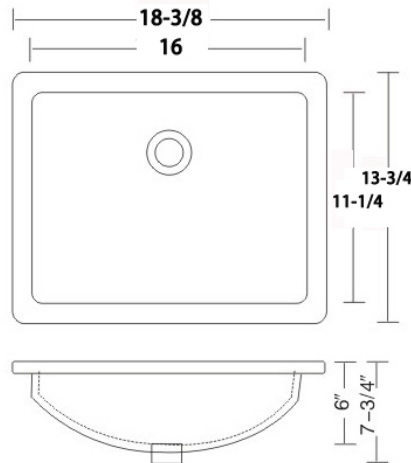
### DESIGN FEATURES

Single bowl depth 6" with inside bowl dimensions 16" X 11-1/4" and over all 18-3/8" X 13-3/4"

**Color:** White

**Mount Style:** Undermount

**Other:** Drain opening 1-3/4".



### CUPC certified

Minimum cabinet size 21"

Product shall be specified  
as UB-904W

### Warranty:

Limited life time warranty against manufacturer defects.

### Codes/Standards Applicable:

ASME A112.19.2 ASME A112.19.14/CSA B45.1

\*Template and mounting clips are packed with every sink