

SPECIFICATIONS

MODEL SS-TM-33920-3H/4H

GENERAL

Fine quality sink formed of 20 gauge, type 304 nickel bearing stainless steel.

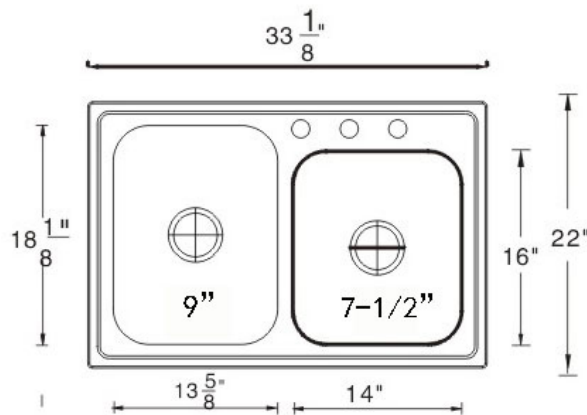
DESIGN FEATURES

Big bowl depth 9" and small bowl depth 7-1/2" with inside bowl dimensions 18-1/8" X13-5/8" and 16"X14" over all 33" X 22"

Finish: Inside bowl surfaces polished to a uniform satin finish.

Underside: High density sound absorption pads covered with a thick rubberized insulation layer on all bottom surfaces.

Other: Drain opening 3 1/2".



CUPC certified

Minimum cabinet size 33"

Product shall be specified as

SS-TM-33920-3H (3 Faucet Holes)

SS-TM-33920-4H (4 Faucet Holes)

OPTIONAL ACCESSORIES:

Sink Drain: A-SS-01, A-SS-02



A-SS-01



A-SS-02

Warranty:

Limited Life Time warranty against manufacturer defects and craftsmanship.