

LENOVA

4580 W Roosevelt Rd Hillside, IL 60162 www.Lenovasinks.com Phone: 877-733-1098

SPECIFICATIONS

MODEL SS-TM-33918-1H

GENERAL

Fine quality sink formed of 18 gauge, type 304 nickel bearing stainless steel.

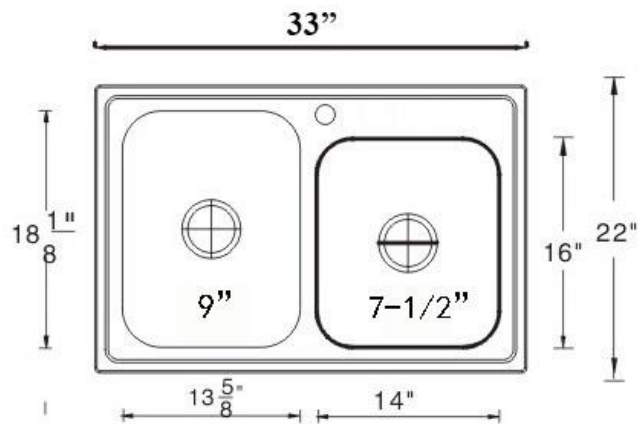
DESIGN FEATURES

Big bowl depth 9" and small bowl depth 7-1/2" with inside bowl dimensions 18-1/8" X13-5/8" and 16"X14" over all 33" X 22"

Finish: Inside bowl surfaces polished to a uniform satin finish.

Underside: High density sound absorption pads covered with a thick rubberized insulation layer on all bottom surfaces.

Other: Drain opening 3 1/2".



CUPC certified

Minimum cabinet size 33"

Product shall be specified as SS-TM-33918

OPTIONAL ACCESSORIES:

Sink Drain: A-SS-01, A-SS-02

Stainless Steel Bottom Grid: G119B (Big Bowl) and G119S (Small Bowl)

Warranty:

Limited Life Time warranty against manufacturer defects and craftsmanship.