

SPECIFICATIONS

MODEL SS-TM-33820-3H/4H

GENERAL

Fine quality sink formed of 20 gauge, type 304 nickel bearing stainless steel.

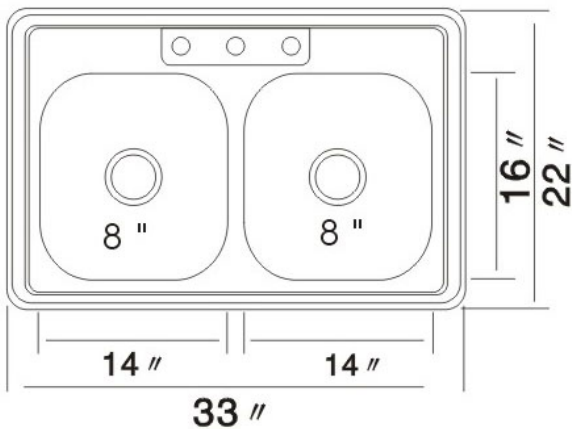
DESIGN FEATURES

Bowl depth 8 inches with inside bowl dimensions 14" X16" over all 33" X 22"

Finish: Inside bowl surfaces polished to a uniform satin finish.

Underside: High density sound absorption pads covered with a thick rubberized insulation layer on all bottom surfaces.

Other: Drain opening 3 1/2".



CUPC certified Minimum cabinet size 33" Product shall be specified as
SS-TM-33820-3H (3 Faucet Holes)
SS-TM-33820-4H (4 Faucet Holes)

OPTIONAL ACCESSORIES:

Sink Drain: A-SS-01, A-SS-02



A-SS-01



A-SS-02

Warranty:

Limited Life Time warranty against manufacturer defects and craftsmanship.