

LENOVA

4580 W Roosevelt Rd Hillside, IL 60162 www.Lenovasinks.com Phone: 877-733-1098

SPECIFICATIONS

MODEL SS-TM-15615-2H

GENERAL

Fine quality sink formed of 18 gauge, type 304 nickel bearing stainless steel.

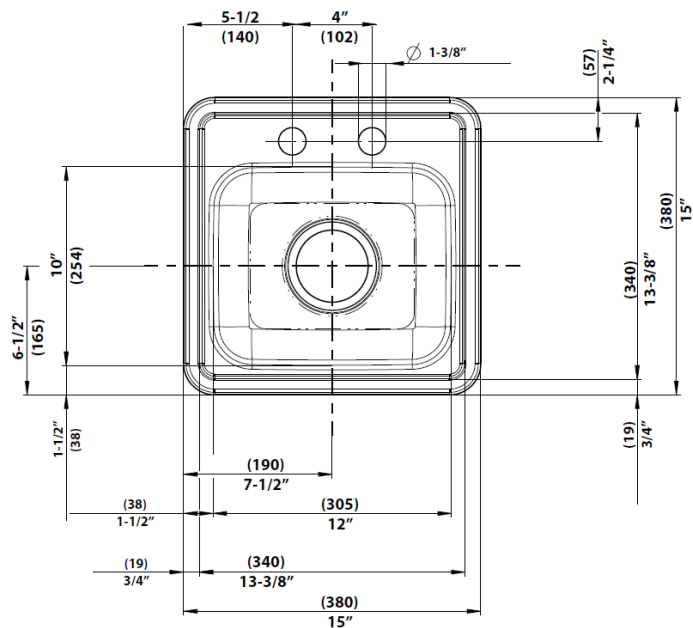
DESIGN FEATURES

Bowl depth 6 inches with inside bowl dimensions 12" X10" over all 15" X 15"

Finish: Inside bowl surfaces polished to a uniform satin finish.

Underside: High density sound absorption pads covered with a thick rubberized insulation layer on all bottom surfaces.

Other: Drain opening 2"



CUPC certified

Minimum cabinet size 15"

Product shall be specified as SS-TM-15615-2H

OPTIONAL ACCESSORIES:

Sink Drain: A-SS-01, A-SS-02

Warranty:

Limited Life Time warranty against manufacturer defects and craftsmanship.