

LENOVA®

DESIGN INSPIRED BY FUNCTION

4580 W Roosevelt Rd Hillside, IL 60162 www.Lenovasinks.com Phone: 877-733-1098

SPECIFICATIONS

MODEL SS-LD-01

GENERAL

Fine quality sink formed of heavy duty 18 gauge, type 304 nickel bearing stainless steel.

DESIGN FEATURES

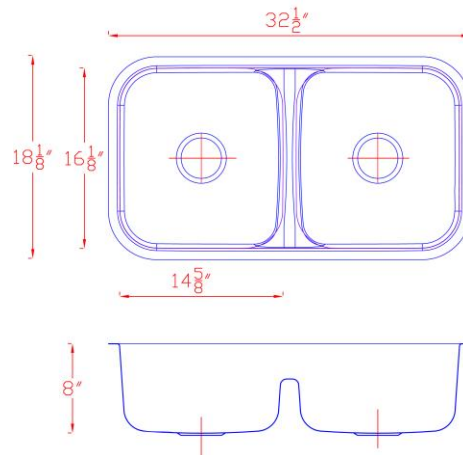
Bowl depth 8" with inside bowl dimensions 16-1/8" X14-5/8" and over all 32-1/2" X 18-1/8"

Special Design: 6" High Low Divider

Finish: Inside bowl surfaces polished to a uniform satin finish.

Underside: High density sound absorption pads covered with a thick rubberized insulation layer on all bottom surfaces.

Other: Drain opening 3 1/2".



CUPC certified

Minimum cabinet size 33"

Product shall be specified as SS-LD-01

OPTIONAL ACCESSORIES:

Sink Drain: A-SS-01, A-SS-02

Stainless Steel Bottom Grid: G118

Stainless Steel Top Rolling Grid: SS-AC-GR

Bamboo Cutting Board: A-CB-01

Warranty:

Limited Life Time warranty against manufacturer defects and craftsmanship.

Codes/Standards Applicable:

ASME A112.19.3/CSA B45.4

*Template and mounting clips are packed with every sink