

LENOVA®

DESIGN INSPIRED BY FUNCTION

4580 W Roosevelt Rd Hillside, IL 60162 www.Lenovasinks.com Phone: 877-733-1098



Best of Design Award

SPECIFICATIONS

MODEL SS-ET-01

GENERAL

Fine quality sink formed of heavy duty **16 gauge**, type 304 nickel bearing stainless steel.

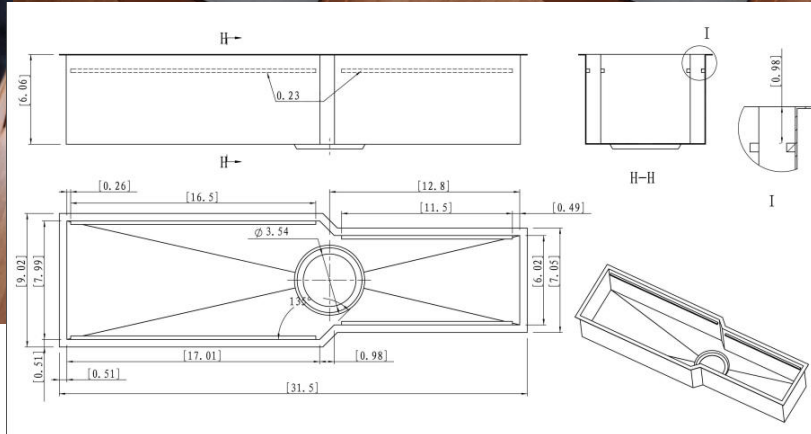
DESIGN FEATURES

Bowl depth 6" with inside bowl dimensions 9" X31-1/2", and over all 30" X 8".

Finish: Inside bowl surfaces polished to a uniform satin finish.

Note: This beautiful and multifunction entertainer sink was a winner of Best of Design. The sink come with a 16 gauge two-bottle wine stainless steel holder, 2 16 gauge stainless steel colander and 3 16 gauge stainless steel trays.

Other: Drain opening 3 1/2".



Minimum cabinet size 33"

Product shall be specified as SS-ET-01

OPTIONAL ACCESSORIES:

Sink Drain: A-SS-01, A-SS-02

Bamboo Cutting Board: A-CB-04 A-CB-05

Warranty:

Limited Life Time warranty against manufacturer defects and craftsmanship.

Codes/Standards Applicable:

ASME A112.19.3/CSA B45.4

*Template and mounting clips are packed with every sink