

LENOVA®

DESIGN INSPIRED BY FUNCTION

4580 W Roosevelt Rd Hillside, IL 60162 www.Lenovasinks.com Phone: 877-733-1098

SPECIFICATIONS

MODEL SS-AP2LE-S36

Double Ledge Functional Design

GENERAL

Fine quality sink formed of heavy duty 16 gauge, type 304 nickel bearing stainless steel.

DESIGN FEATURES

Bowl depth 10" with inside bowl dimensions 34" X 19 1/4", and over all 35-7/10" X 22-4/5".

Finish: Inside bowl surfaces polished to a uniform satin finish.

Underside: High density sound absorption pads covered with a thick rubberized insulation layer on all bottom surfaces.

Other: Drain opening 3 1/2".





A-CB18



A-CLDR18



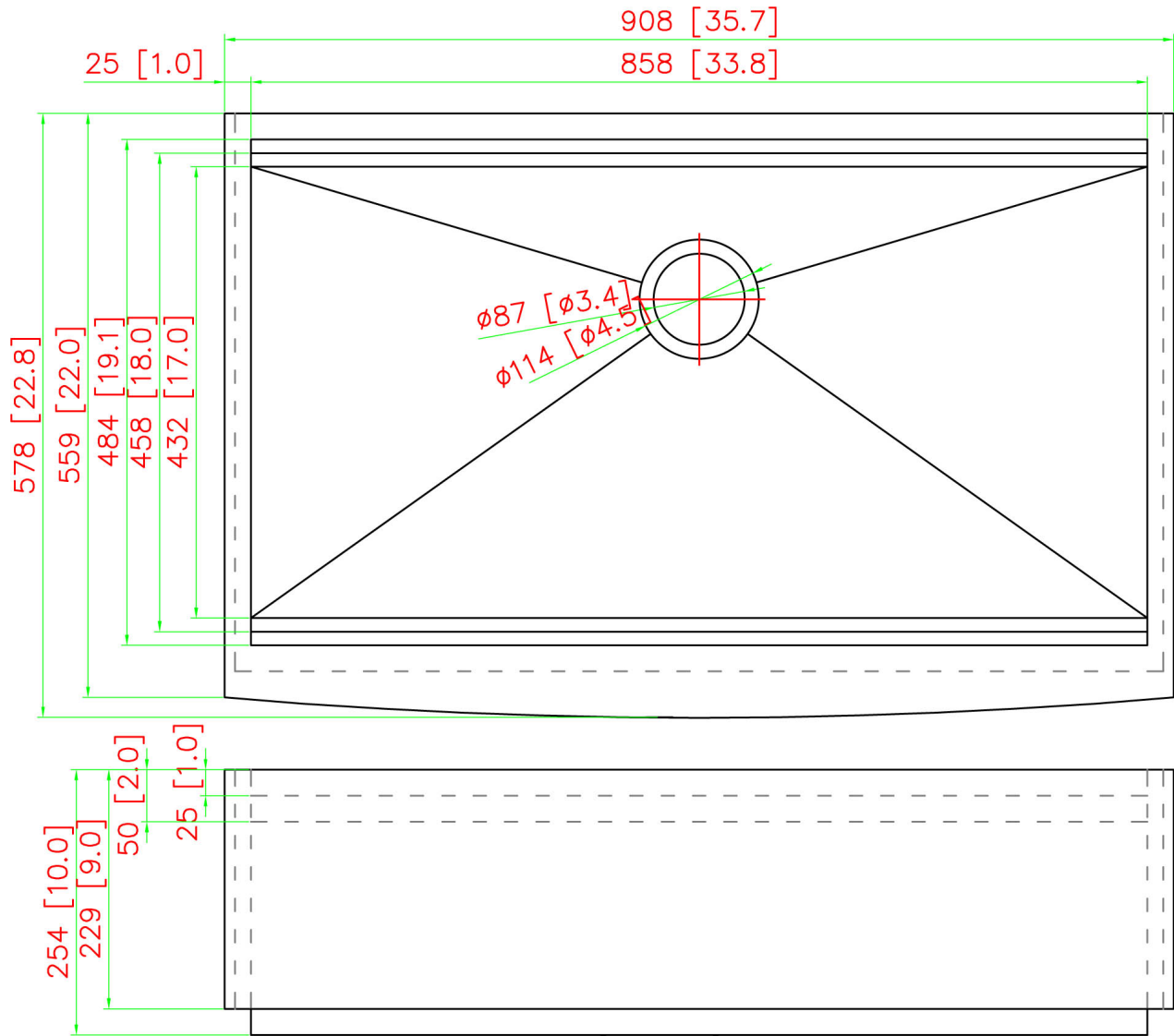
SS-ACLE18



SS-ACGRAP19



A-CB19



**DOUBLE LEDGE FUNCTIONAL DESIGN
SINGLE BOWL APRON FARM SINK
UNDERMOUNT**

SS-AP2LE-S36 (36 x 22 ¾ x 10)

ACCESSORIES

Grid: GASLE36
Sink Strainer: A-SS-01,
A-SS-02, A-SS-05

DOWN LEVEL ACCESSORIES:

Rolling Grid: SS-AC-GR18
Colander: A-CLDR18, SS-AC-LE18
Bamboo Cutting Board: A-CB-18

UP LEVEL ACCESSORIES

Rolling Grid: SS-AC-GRAP19
Colander: SS-AC-LEAP3
Bamboo Cutting Board: A-CB19



CUPC certified

Minimum cabinet size 36"

Warranty:

Limited Life Time warranty against manufacturer defects and craftsmanship.

Codes/Standards Applicable:

ASME A112.19.3/CSA B45.4

*Template and mounting clips are packed with every sink