

LENOVA

4580 W Roosevelt Rd Hillside, IL 60162 www.Lenovasinks.com Phone: 877-733-1098

SPECIFICATIONS

MODEL SS-AP-S30

GENERAL

Fine quality sink formed of heavy duty 16 gauge, type 304 nickel bearing stainless steel.

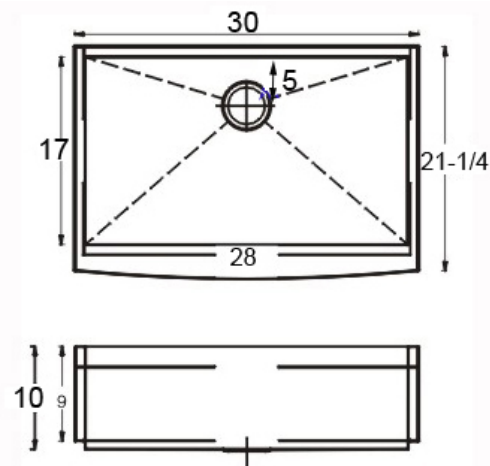
DESIGN FEATURES

Bowl depth 10" with inside bowl dimensions 17" X28", and over all 30" X 21-1/4".

Finish: Inside bowl surfaces polished to a uniform satin finish.

Underside: High density sound absorption pads covered with a thick rubberized insulation layer on all bottom surfaces.

Other: Drain opening 3 1/2".



C

CUPC certified

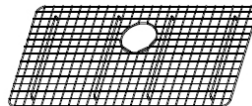
Minimum cabinet size 30"

Product shall be specified as SS-AP-S30

OPTIONAL ACCESSORIES:

Sink Drain: A-SS-01, A-SS-02

Stainless Steel Grids: GAS30



GAS30



A-SS-01



A-SS-02

Warranty:

Limited Life Time warranty against manufacturer defects and craftsmanship.

Codes/Standards Applicable:

ASME A112.19.3/CSA B45.4

*Template and mounting clips are packed with every sink