

LENOVA

4580 W Roosevelt Rd Hillside, IL 60162 www.Lenovasinks.com Phone: 877-733-1098

SPECIFICATIONS

MODEL SS-AP-D3396

GENERAL

Fine quality sink formed of heavy duty 16 gauge, type 304 nickel bearing stainless steel.

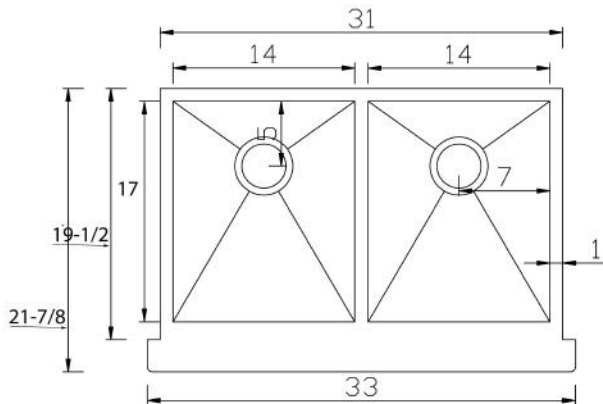
DESIGN FEATURES

Bowl depth 9" with flat apron height 6-1/2", inside bowl dimensions 14" X17", and over all 33" X 21-7/8".

Finish: Inside bowl surfaces polished to a uniform satin finish.

Underside: High density sound absorption pads covered with a thick rubberized insulation layer on all bottom surfaces.

Other: Drain opening 3 1/2".



C

CUPC certified

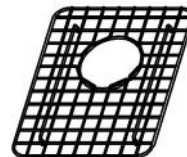
Minimum cabinet size 33"

Product shall be specified as SS-AP-D3396

OPTIONAL ACCESSORIES:

Sink Drain: A-SS-01, A-SS-02

Stainless Steel Grids: GD339



GD339



A-SS-01



A-SS-02

Warranty:

Limited Life Time warranty against manufacturer defects and craftsmanship.

Codes/Standards Applicable:

ASME A112.19.3/CSA B45.4

*Template and mounting clips are packed with every sink