

LENOVA

4580 W Roosevelt Rd Hillside, IL 60162 www.Lenovasinks.com Phone: 877-733-1098

SPECIFICATIONS

MODEL SS-12Ri-D2R

GENERAL

Fine quality sink formed of heavy duty 16 gauge, type 304 nickel bearing stainless steel.

DESIGN FEATURES

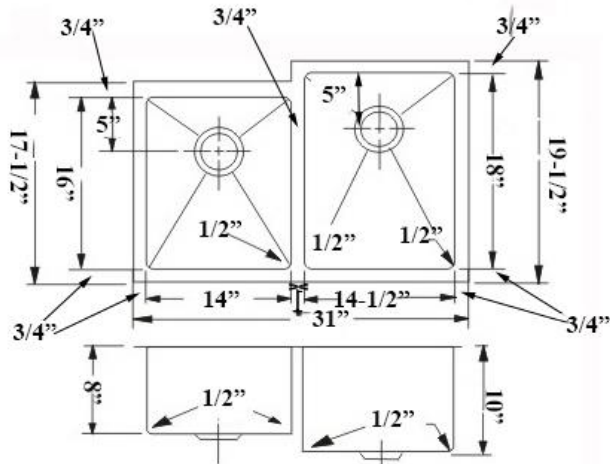
Bowl depth 10-" with inside big bowl dimensions 18" X14-1/2" and small bowl dimensions 14"X16", and over all 31" X 19-1/2".

1/2" corner radius make this handmade sink easy to clean.

Finish: Inside bowl surfaces polished to a uniform satin finish.

Underside: High density sound absorption pads covered with a thick rubberized insulation layer on all bottom surfaces.

Other: Drain opening 3 1/2".



Minimum cabinet size 33"

Product shall be specified as SS-12Ri-D2R

OPTIONAL ACCESSORIES:

Sink Drain: A-SS-01, A-SS-02

Stainless Steel Grids: G1D2B (Big Bowl) and G1D2S (Small Bowl)

Bamboo Cutting Board: A-CB-01

Warranty:

Limited life time warranty against manufacturer defects.