



4580 W Roosevelt Rd Hillside, IL 60162 [www.Lenovasinks.com](http://www.Lenovasinks.com) Phone: 877-733-1098

## SPECIFICATIONS

## MODEL SS-14Ri-D3120L

### GENERAL

Fine quality sink formed of heavy duty 16 gauge, type 304 nickel bearing stainless steel.

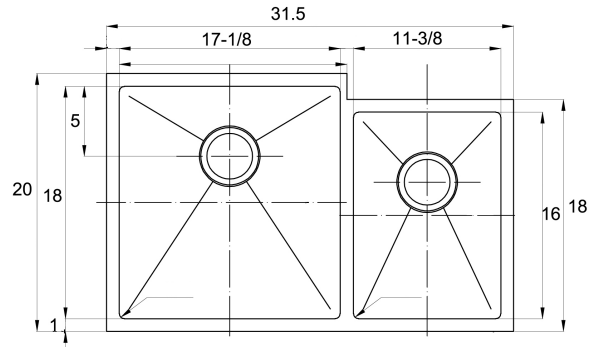
### DESIGN FEATURES

Bowl depth 10" and 8" with inside bowl dimensions 18" X17-1/8", 16"x11-3/8" and over all 31-1/2" X 20".

**Finish:** Inside bowl surfaces polished to a uniform satin finish.

**Underside:** High density sound absorption pads covered with a thick rubberized insulation layer on all bottom surfaces.

**Other:** Drain opening 3 1/2".



C

**CUPC certified**

Minimum cabinet size 24"

Product shall be specified as SS-14Ri-D3120L

### OPTIONAL ACCESSORIES:

Sink Drain: A-SS-01, A-SS-02

Stainless Steel Grids: G3D3120B, G3D3120S

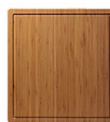
Bamboo Cutting Board: A-CB-01



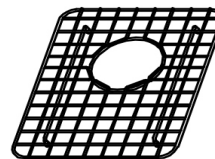
A-SS-01



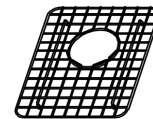
A-SS-02



A-CB-01



G3D3120B



G3D3120S

### K U f U b m

Šā ģeogrāfiskā nosaukuma izmantošana ir atļauta, ja ir izpildīti šādi nosaukuma izmantošanas noteikumi.

### Codes/Standards Applicable:

ASME A112.19.3/CSA B45.4

\*Template and mounting clips are packed with every sink