

LENOVA

4580 W Roosevelt Rd Hillside, IL 60162 www.Lenovasinks.com Phone: 877-733-1098

Special Design Patent "PermaClean Drain System"

SPECIFICATIONS

MODEL PC-SS-0Ri-S15

GENERAL

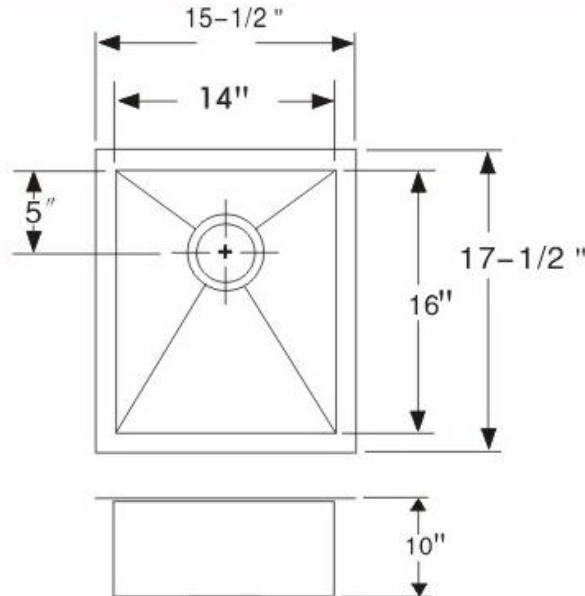
Fine quality sink formed of heavy duty 16 gauge, type 304 nickel bearing stainless steel.

DESIGN FEATURES

Bowl depth 10" with inside bowl dimensions 14" X16", and over all 15-1/2" X 17-1/2".

Finish: Inside bowl surfaces polished to a uniform satin finish.

Underside: High density sound absorption pads covered with a thick rubberized insulation layer on all bottom surfaces.



C

CUPC certified

Minimum cabinet size 18"

Product shall be specified as PC-SS-0Ri-S15

ACCESSORIES:

The complete PermaClean Drain kits come with the sink for free.

OPTIONAL ACCESSORIES:

Stainless Steel Grids: G0S4

Note:

The sink fits almost all the garbage disposal on the market.