

LENOVA

4580 W Roosevelt Rd Hillside, IL 60162 www.Lenovasinks.com Phone: 877-733-1098

Special Design Patent “PermaClean Drain System”

SPECIFICATIONS

MODEL PC-SS-0Ri-D1

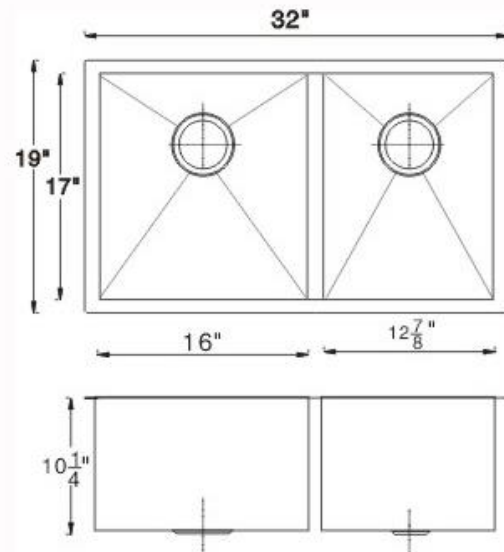
GENERAL

Fine quality sink formed of heavy duty 16 gauge, type 304 nickel bearing stainless steel.

DESIGN FEATURES

Bowl depth 10” with inside bowl dimensions 17” X16” and 17”X12-7/8”, and over all 32” X 19” **Finish:** Inside bowl surfaces polished to a uniform satin finish.

Underside: High density sound absorption pads covered with a thick rubberized insulation layer on all bottom surfaces.



CUPC certified

Minimum cabinet size 33”

Product shall be specified as PC-SS-0Ri-D1

ACCESSORIES:

The complete PermaClean Drain kits come with the sink for free.

OPTIONAL ACCESSORIES:

Stainless Steel Grids: G0D1B (Big Bowl) and G0D1S (Small Bowl)

Note:

The sink fits almost all the garbage disposal on the market.