

# LENOVA

4580 W Roosevelt Rd Hillside, IL 60162 [www.Lenovasinks.com](http://www.Lenovasinks.com) Phone: 877-733-1098

## Special Design Patent "PermaClean Drain System"

### SPECIFICATIONS

### MODEL PC-LEAP-S33

#### GENERAL

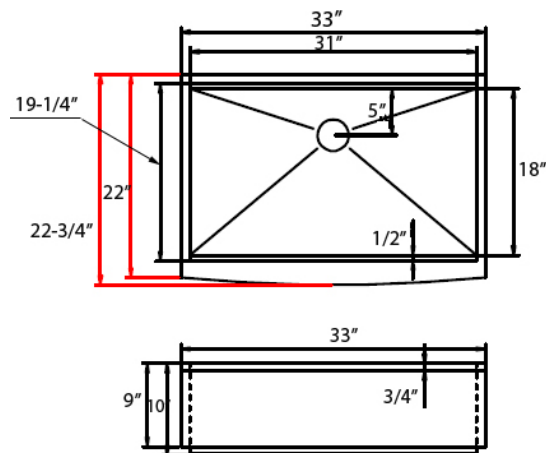
Fine quality sink formed of heavy duty 16 gauge, type 304 nickel bearing stainless steel.

#### DESIGN FEATURES

Bowl depth 10" with inside bowl dimensions 19-1/4" X 31", and over all 33" X 22-3/4".

**Finish:** Inside bowl surfaces polished to a uniform satin finish.

**Underside:** High density sound absorption pads covered with a thick rubberized insulation layer on all bottom surfaces.



**CUPC certified**

Minimum cabinet size 33"

Product shall be specified as PC-LEAP-S33

#### ACCESSORIES:

1. The waste king adapter (for Waste King Garbage Disposal) is sold separately by request. List price for the waste king adapter is \$7.
2. The PermaClean Drain Kits (except waste king adapter), \$65 value, comes with the PermaClean Sink at no cost.

#### OPTIONAL ACCESSORIES:

Stainless Steel Grids: GAS3

Stainless Steel Colander

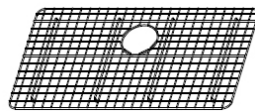
SS-AC-APLE3

Stainless Steel Rolling Grid

SS-AC-APGR3

Bamboo Cutting Board

CB-AP3



GAS3



PC-DS-01



CB-AP3



SS-AC-APGR3



SS-AC-APLE3

#### Warranty:

Limited Life Time warranty against manufacturer defects and craftsmanship.

#### Codes/Standards Applicable:

ASME A112.19.3/CSA B45.4

\*Template and mounting clips are packed with every sink