

LENOVA

4580 W Roosevelt Rd Hillside, IL 60162 www.Lenovasinks.com Phone: 877-733-1098

SPECIFICATIONS

MODEL PAC-08

GENERAL

Fine quality rectangle porcelain vessel sink

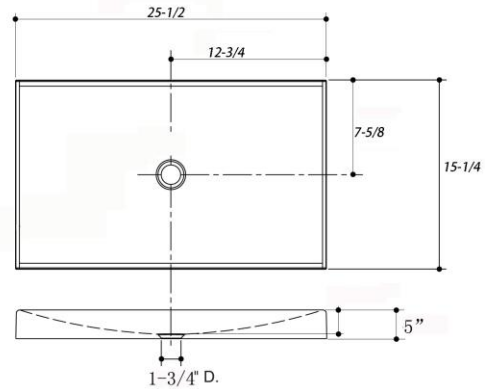
DESIGN FEATURES

Bowl depth 5" with overall dimensions 25-1/2" X 15-1/4".

Installation style: Above counter

Material: Fine quality porcelain.

Other: Drain opening 1-3/4".



PAC-08



UPC certified.

OPTIONAL ACCESSORIES:



A-SP-05



A-SP-06



A-SP-04



A-SP-03

Mushroom Pop-Up Sink Drain:

A-SP-05 (Brushed Nickel), A-SP-06 (Polished Chrome), A-SP-04 (Oil Rubbed Bronze), A-SP-03 (Antique Bronze)



A-SP-21GN



A-SP-20GC



A-SP-22GB

19 Holes Grid Sink Drain:

A-SP-21GN (Brushed Nickel), A-SP-20GC (Polished Chrome), A-SP-22GB (Oil Rubbed Bronze)

Warranty:

Limited life time warranty against manufacturer defects.

Codes/Standards Applicable:

ASME A112.19.2 ASME A112.19.14/CSA B45.1