

LENOVA

4580 W Roosevelt Rd Hillside, IL 60162 www.Lenovasinks.com Phone: 877-733-1098

SPECIFICATIONS

MODEL NG-05BK, and NG-05WE

GENERAL

Fine quality sink formed of 85% Granite Composite and 15% Environmental Technology Resin.

DESIGN FEATURES

Bowl depth 8" with inside bowl dimensions 14" X16", and over all 15-1/2" X 17-1/2"

Finish Color: Matte Black (NG-05BK), and Antique White (NG-05WE).

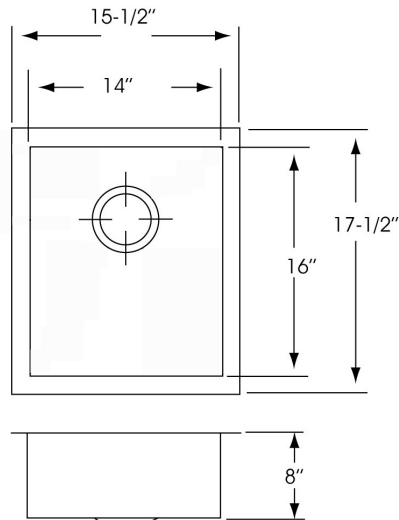
Other: Drain opening 3 1/2".



NG-05BK



NG-05WE



A-SS-01



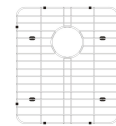
A-SS-02



A-SS-11



A-SS-12



GN05

Minimum cabinet size 21"

Product shall be specified as
NG-05BK, and NG-05WE.

OPTIONAL ACCESSORIES:

Sink Drain: A-SS-01, A-SS-02, A-SS-11(Match NG-05BK Color), A-SS-12(Match NG-05WE Color) ,

Stainless Steel Sink Grid: GN05

Bamboo Cutting Board: A-CB-01

Warranty:

Limited Life Time warranty against manufacturer defects and craftsmanship.

Codes/Standards Applicable:

ASME A112.19.3/CSA B45.4

*Template and mounting clips are packed with every sink