

# LENOVA

4580 W Roosevelt Rd Hillside, IL 60162 [www.Lenovasinks.com](http://www.Lenovasinks.com) Phone: 877-733-1098

## SPECIFICATIONS

## MODEL NG-04BK, and NG-04WE

### GENERAL

Fine quality sink formed of 85% Granite Composite and 15% Environmental Technology Resin.

### DESIGN FEATURES

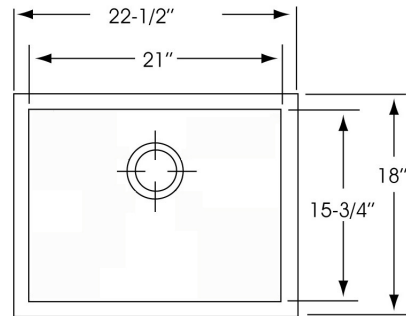
Bowl depth 9" with inside bowl dimensions 21" X 15-3/4", and over all 22-1/2" X 18"

**Finish Color:** Matte Black (NG-04BK), and Antique White (NG-04WE).

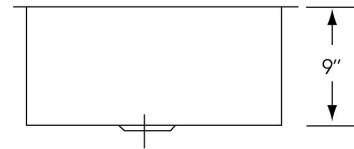
**Other:** Drain opening 3 1/2".



NG-04BK



NG-04WE



A-SS-01



A-SS-02



A-SS-11



A-SS-13



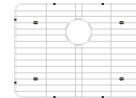
A-SS-12

Minimum cabinet size 24"

Product shall be specified as  
NG-04BK, and NG-04WE.



A-CB-01



GN04

### OPTIONAL ACCESSORIES:

Sink Drain: A-SS-01, A-SS-02, A-SS-11(Match NG-04BK Color), A-SS-12(Match NG-04WE Color), A-SS-13(Match NG-04CF Color)

Stainless Steel Sink Grid: GN04

Bamboo Cutting Board: A-CB-01

### Warranty:

Limited Life Time warranty against manufacturer defects and craftsmanship.

### Codes/Standards Applicable:

ASME A112.19.3/CSA B45.4

\*Template and mounting clips are packed with every sink