

LENOVA

4580 W Roosevelt Rd Hillside, IL 60162 www.Lenovasinks.com Phone: 877-733-1098

SPECIFICATIONS

MODEL NG-03BK, and NG-03WE

GENERAL

Fine quality sink formed of 85% Granite Composite and 15% Environmental Technology Resin.

DESIGN FEATURES

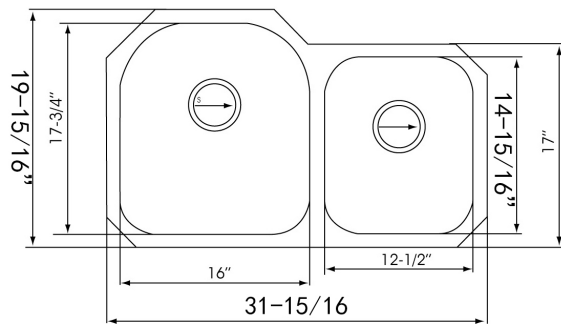
Bowl depth 9" with inside bowl dimensions 17-3/4" X16" and 14-15/16"X12-1/2", and over all 31-15/16" X 19-15/16"

Finish Color: Matte Black (NG-03BK), and Antique White (NG-03WE).

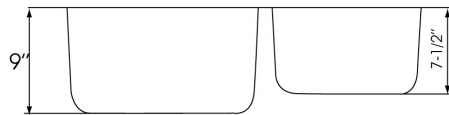
Other: Drain opening 3 1/2".



NG-03BK



NG-03WE



A-SS-01



A-SS-02



A-SS-11



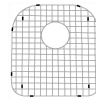
A-SS-13



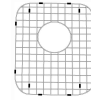
A-SS-12

Minimum cabinet size 36"

Product shall be specified as NG-03BK, and NG-03WE.



GN03B



GN03S

OPTIONAL ACCESSORIES:

Sink Drain: A-SS-01, A-SS-02, A-SS-11(Match NG-03BK Color), A-SS-12(Match NG-03WE Color), A-SS-13(Match NG-03CF Color)

Stainless Steel Sink Grid: GN03B (for Big Bowl), GN03S (for Small Bowl)

Warranty:

Limited Life Time warranty against manufacturer defects and craftsmanship.

Codes/Standards Applicable:

ASME A112.19.3/CSA B45.4

*Template and mounting clips are packed with every sink