

LENOVA

4580 W Roosevelt Rd Hillside, IL 60162 www.Lenovasinks.com Phone: 877-733-1098

SPECIFICATIONS

MODEL NG-01BK, and NG-01WE

GENERAL

Fine quality sink formed of 85% Granite Composite and 15% Environmental Technology Resin.

DESIGN FEATURES

Bowl depth 9" with inside bowl dimensions 30" X17", and over all 32" X 19"

Finish Color: Matte Black (NG-01BK), and Antique White (NG-01WE).

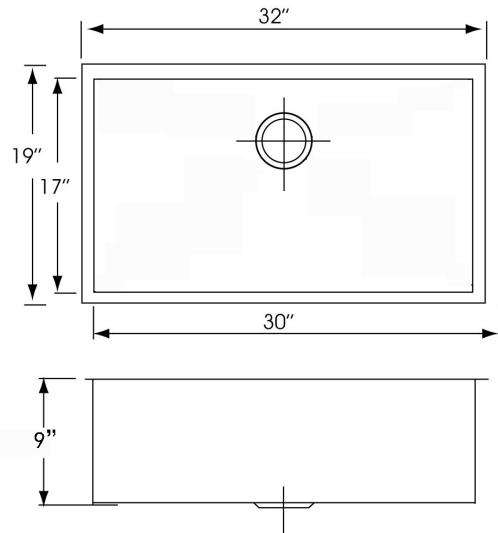
Other: Drain opening 3 1/2".



NG-01BK



NG-01WE



A-SS-01



A-SS-02



A-SS-11



A-SS-12



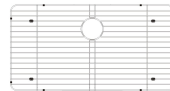
A-CB-01



A-CLDR

Minimum cabinet size 36"

Product shall be specified as NG-01BK,
and NG-01WE.



GN01

OPTIONAL ACCESSORIES:

Sink Drain: A-SS-01, A-SS-02, A-SS-11(Match NG-01BK Color), A-SS-12(Match NG-01WE Color)

Stainless Steel Sink Grids: GN01

Bamboo Cutting Board: A-CB-01

Stainless Steel Sink Colander: A-CLDR

Warranty:

Limited Life Time warranty against manufacturer defects and craftsmanship.

Codes/Standards Applicable:

ASME A112.19.3/CSA B45.4

*Template and mounting clips are packed with every sink