

## SPECIFICATIONS

## MODEL LS18507

### GENERAL

Fine quality sink formed of heavy duty 18 gauge, type 304 nickel bearing stainless steel.

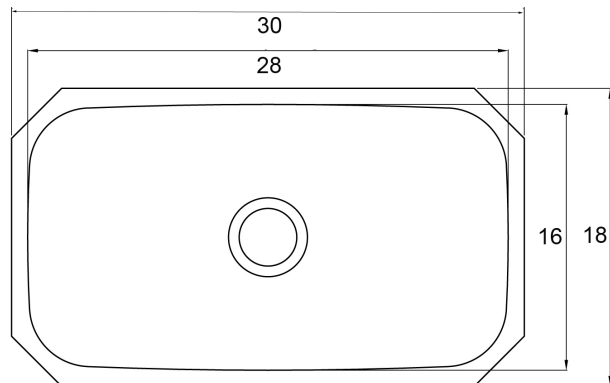
### DESIGN FEATURES

Bowl depth 9" with inside bowl dimensions 28" X16" and over all 30" X 18"

**Finish:** Inside bowl surfaces polished to a uniform satin finish.

**Underside:** High density sound absorption pads covered with a thick rubberized insulation layer on all bottom surfaces.

**Other:** Drain opening 3 ½".



C

### CUPC certified

Minimum cabinet size 33"

Product shall be specified as LS18507

### OPTIONAL ACCESSORIES:

Sink Drain: A-SS-01, A-SS-02

Bamboo Cutting Board: A-CB-01 Sink

Grid: G507



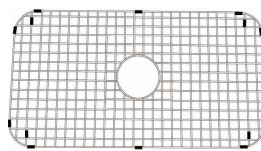
A-SS-01



A-SS-02



A-CB-01



G507

## Warranty:

Limited Life Time warranty against manufacturer defects and craftsmanship.