

# LENOVA®

DESIGN INSPIRED BY FUNCTION

4580 W Roosevelt Rd Hillside, IL 60162 [www.Lenovasinks.com](http://www.Lenovasinks.com) Phone: 877-733-1098

## SPECIFICATIONS

## MODEL LS18152

### GENERAL

Fine quality sink formed of 18 gauge (1.2mm), type 304 nickel bearing stainless steel.

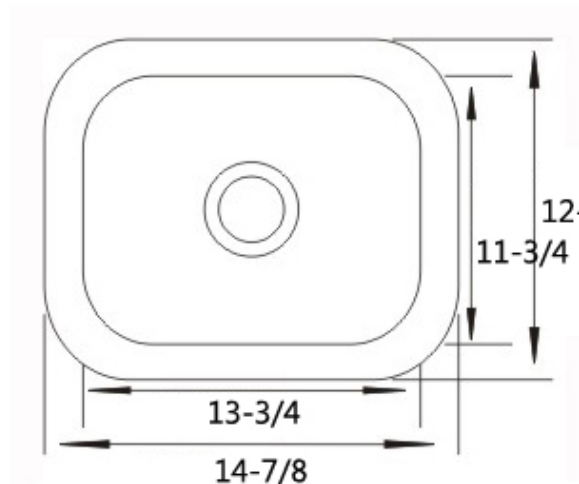
### DESIGN FEATURES

Bowl depth 7 inches with inside bowl dimensions 13-3/4" X 11-3/4" Over all 14-7/8" X 12-7/8"

**Finish:** Inside bowl surfaces polished to a uniform satin finish.

**Underside:** Five high density sound absorption pads covered with a thick rubberized insulation layer on all bottom surfaces.

**Other:** Drain opening 3 1/2".



**CUPC certified**  
Minimum cabinet size 18"

### OPTIONAL ACCESSORIES:

Stainless Steel Bottom Grid: G151

Sink Drain: A-SS-01, A-SS-02

### Warranty:

Limited Life Time warranty against manufacturer defects and craftsmanship.

### Codes/Standards Applicable:

ASME A112.19.3/CSA B45.4

\*Template and mounting clips are packed with every sink