

SPECIFICATIONS

MODEL LS16606

GENERAL

Fine quality sink formed of heavy duty **16** gauge, type 304 nickel bearing stainless steel.

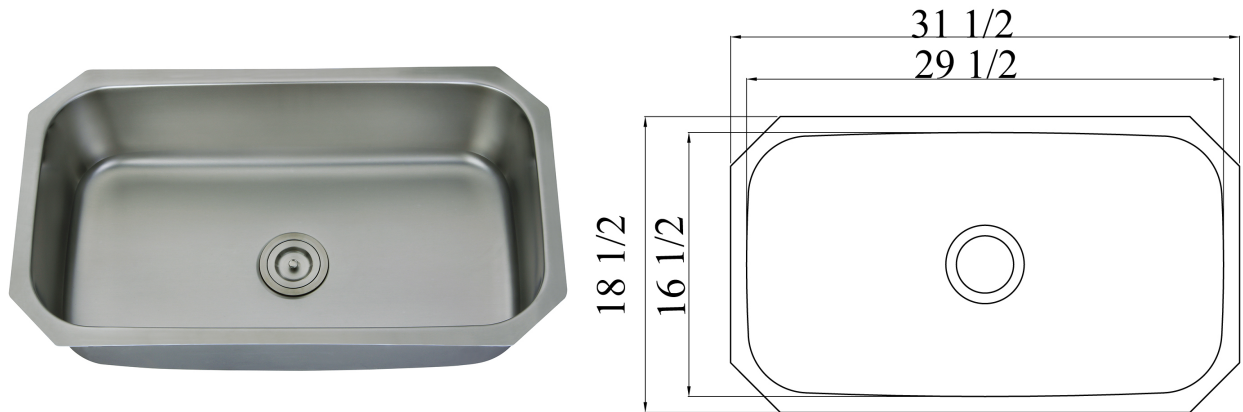
DESIGN FEATURES

Bowl depth 9 with inside bowl dimensions 29-1/2" X16-1/2" and over all 31-1/2" X 18-1/2"

Finish: Inside bowl surfaces polished to a uniform satin finish.

Underside: High density sound absorption pads covered with a thick rubberized insulation layer on all bottom surfaces.

Other: Drain opening 3 1/2".



CUPC certified

Minimum cabinet size 33"

Product shall be specified as LS16606

OPTIONAL ACCESSORIES:

Sink Drain: A-SS-01, A-SS-02

Bamboo Cutting Board: A-CB-01 Sink

Grid: G506



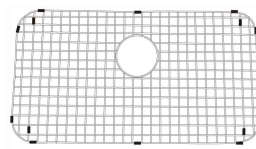
A-SS-01



A-SS-02



A-CB-01



G506

Warranty:

Limited Life Time warranty against manufacturer defects and craftsmanship.