



4580 W Roosevelt Rd. Hillside, IL 60162

Phone: 312-733-1098 Fax: 708-234-1351

SPECIFICATIONS

MODEL LD16612L

GENERAL

Fine quality sink formed of heavy duty **16 gauge**, type 304 nickel bearing stainless steel.

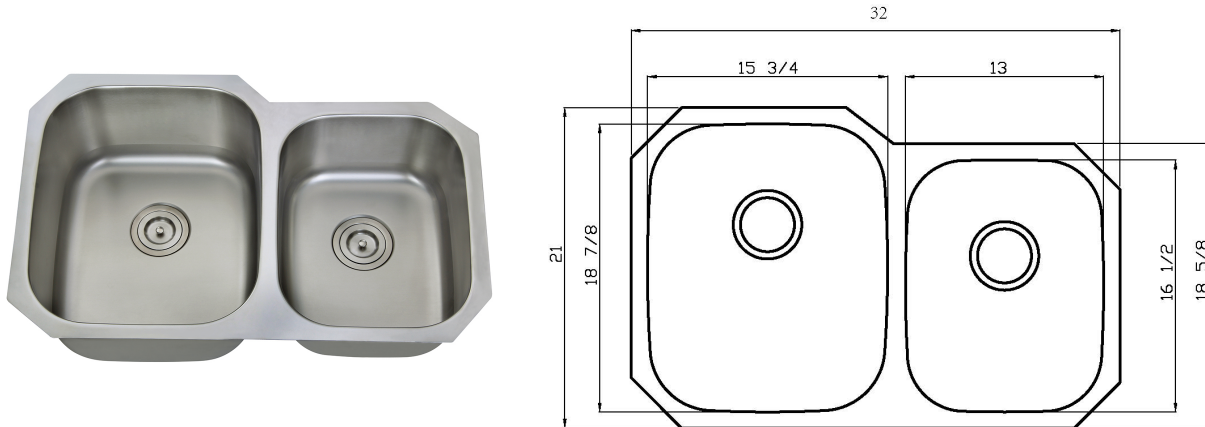
DESIGN FEATURES

Bowl depth 9" and 8" with inside bowl dimensions 18-7/8" X15-3/4" and 16-1/2"X13" and over all 32" X 21"

Finish: Inside bowl surfaces polished to a uniform satin finish.

Underside: High density sound absorption pads covered with a thick rubberized insulation layer on all bottom surfaces.

Other: Drain opening 3 1/2".



cUPC Certified

Minimum Cabinet Size: 33"

Product shall be specified as LD16612L

Optional Accessories:

Sink Drain: A-SS-01, A-SS-02 Bamboo Cutting Board: A-CB-01

Stainless Steel Grids: G112B(Big Bowl) and G119S(Small Bowl)



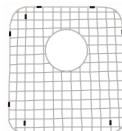
A-SS-01



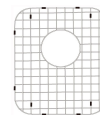
A-SS-02



A-CB-01



G112B



G112S

Warranty:

Limited Life Time warranty against manufacturer defects and craftsmanship