



4580 W Roosevelt Rd. Hillside, IL 60162

Phone: 312-733-1098 Fax: 708-234-1351

SPECIFICATIONS

MODEL LD16611

GENERAL

Fine quality sink formed of heavy duty 16 gauge, type 304 nickel bearing stainless steel.

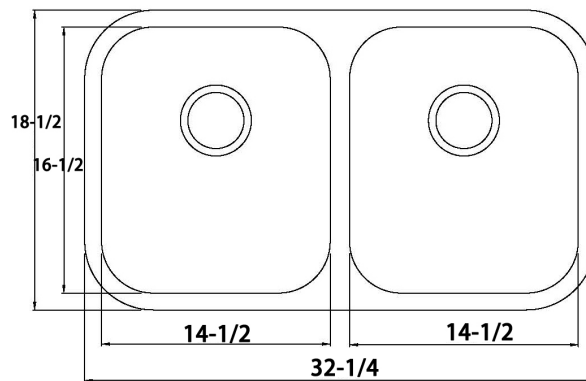
DESIGN FEATURES

Bowl depth 9" with inside bowl dimensions 16-1/2" X14-1/2" and over all 32-1/4" X 18-1/2"

Finish: Inside bowl surfaces polished to a uniform satin finish.

Underside: High density sound absorption pads covered with a thick rubberized insulation layer on all bottom surfaces.

Other: Drain opening 3 1/2".



C

CUPC certified

Minimum cabinet size 33"

Product shall be specified as LD16611

OPTIONAL ACCESSORIES:

Sink Drain: A-SS-01, A-SS-02

Stainless Steel Grids: G111

Bamboo Cutting Board: A-CB-01



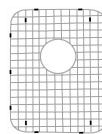
A-SS-01



A-SS-02



A-CB-01



G111

Warranty:

Limited Life Time warranty against manufacturer defects and craftsmanship.