

Kitchen or Bar Faucet KB465PC and KB465BN

Apogee Faucets reserves the right to make modification and specification changes at any time. Please verify dimensions prior to installation.

### Features & Benefits

- Top quality durable ceramic disc valves exceed the industry longevity standards two times for a lifetime of durable performance.
- Elegant timeless style design.
- Top quality durable Brass Construction.
- Spout features quiet and water-efficient aerator.



### Codes and Standards

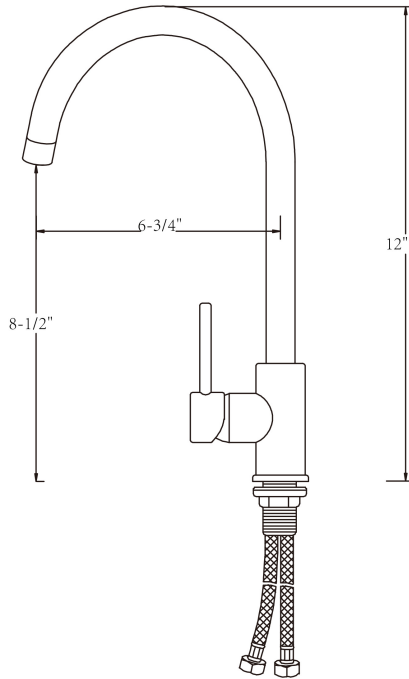
These products meet or exceed the following codes and standards:

- ANSI A117,1
- ASME A112.18.1
- CSA B-125
- NSF 61/SECTION 9 & ANNEX G
- AB1953

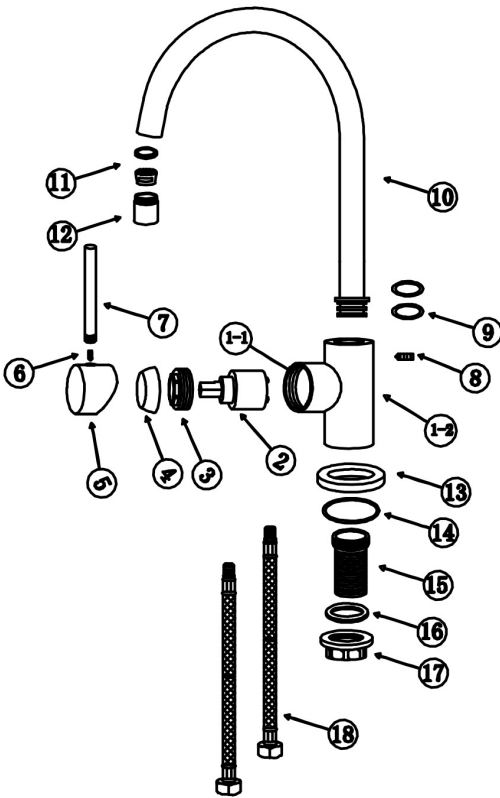
### Specified Model & Finish

Model #	Description	Finish
KB465PC	Kitchen or Bar Faucet	Polished Chrome
KB465BN	Kitchen or Bar Faucet	Brushed Nickel

# Product Diagram



# Parts Explore



No.	Water contact Y	Description	Material	Finish	Qty
1-1	Y	body	Lead-free H65 brass		1
1-2		Body	Lead-free H59 brass		1
2	Y	Cartridge	V35D		1
3		Pressing nut	H59		1
4		Cover	H59		1
5		Handle	Zinc alloy		1
6		Screw	SS304		1
7		Handle pole	Zinc alloy		1
8		Screw	SS304		1
9	Y	O-ring	N7118F		1
10	Y	Cylinder spout	H65		2
11	Y	Aerator	40.2001.000 perlator honeycob STD X 2.2 GPM		1
12		Spout	H59		1
13		Base	H59		1
14		O-ring	EPDM		1
15		Pole	SS304		1
16		gasket	EPDM		1
17		Fixing nut	H59		1
18	Y	Flexible hose	96401		2
WENZHOU HAIJUN SANITARY HARDWARE CO.,LTD				MODEL NO. 82H37-***	KITCHEN FAUCET