

Widespread lavatory faucet B500PC and B500BN

Apogee Faucets reserves the right to make modification and specification changes at any time. Please verify dimensions prior to installation.

**Features & Benefits**

- Double handle widespread lavatory faucet for flexible installation.
- Top quality durable ceramic disc valves exceed the industry longevity standards two times for a lifetime of durable performance.
- Elegant traditional yet timeless style design.
- Top quality durable brass Construction.
- Spout features quiet and water-efficient aerator.
- Top quality brass pop-up drain included.



**Codes and Standards**

These products meet or exceed the following codes and standards:

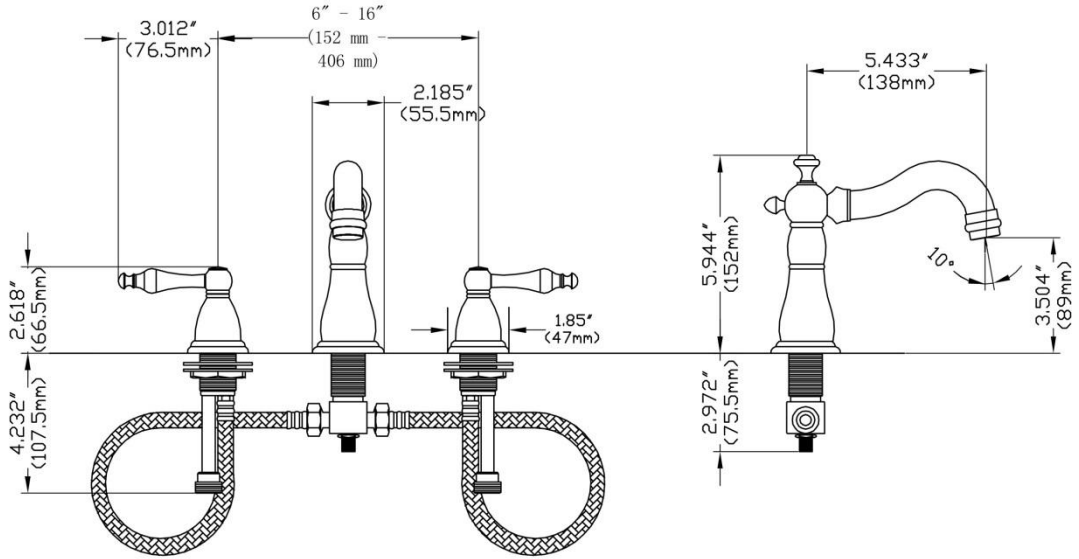
- ANSI A117,1
- ASME A112.18.1
- CSA B-125
- NSF 61/SECTION 9 & ANNEX G
- AB1953



**Specified Model & Finish**

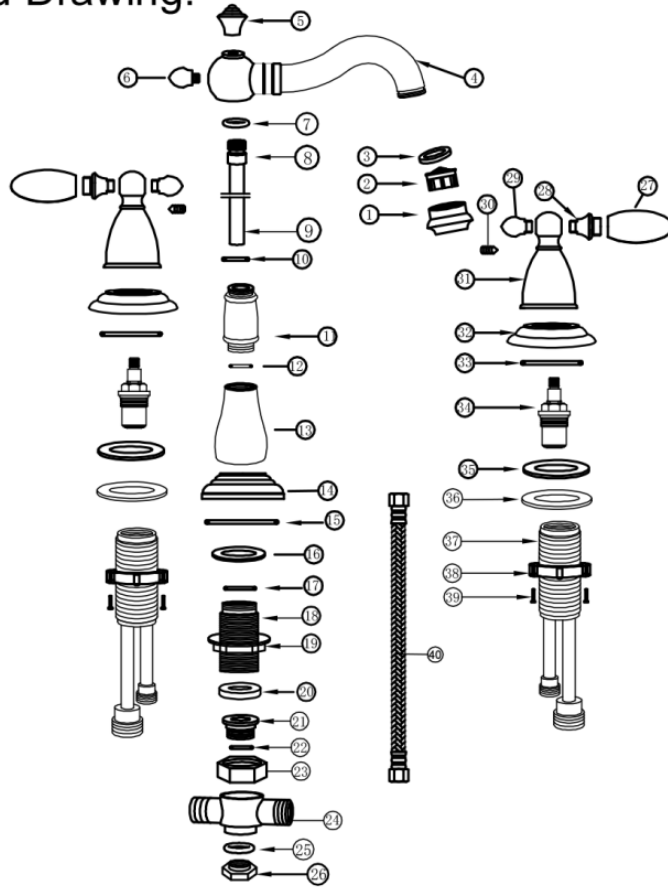
Model #	Description	Finish
B500PC	Wide Spread Bathroom Faucet with Brass Pop-up Drain	Polished Chrome
B500BN	Wide Spread Bathroom Faucet with Brass Pop-up Drain	Brushed Nickel

# Product Diagram



## Parts Explore

Exploded Drawing:



40	B500-40	Water Supply Hose	2
39	B500-39	Screw	4
38	B500-38	Lock Nut	2
37	B500-37	Valve Body	2
36	B500-36	Metal Washer	2
35	B500-35	Gasket	2
34	B500-34	Cartridge	2
33	B500-33	O-ring	2
32	B500-32	Handle Trim Ring	2
31	B500-31	Handle Canopy	2
30	B500-30	Screw	2
29	B500-29	Handle Trim End	2
28	B500-28	Handle Insert	2
27	B500-27	Handle	2
26	B500-26	Lock Nut	1
25	B500-25	O-ring	1
24	B500-24	Adapter	1
23	B500-23	Lock Nut	1
22	B500-22	O-ring	1
21	B500-21	Nut	1
20	B500-20	Gasket	1
19	B500-19	Lock Nut	1
18	B500-18	Spout Shank	1
17	B500-17	O-ring	1
16	B500-16	Gasket	1
15	B500-15	O-ring	1
14	B500-14	Spout Trim Ring	1
13	B500-13	Spout Seat	1
12	B500-12	O-ring	1
11	B500-11	Spout Connection	1
10	B500-10	O-ring	1
9	B500-09	Brass tube	1
8	B500-08	Connector	1
7	B500-07	O-ring	1
6	B500-06	Spout Trim End	1
5	B500-05	Spout Trim Cap	1
4	B500-04	Spout Assembly	1
3	B500-03	Gasket	1
2	B500-02	Aerator	1
1	B500-01	Aerator cover	1
No.	Part No.	Part Description	Quantity