

Tall Single Hole Single Handle Lavatory faucet B483SPC/B483SBN

Apogee Faucets reserves the right to make modification and specification changes at any time. Please verify dimensions prior to installation.

Features & Benefits

- Top quality durable solid brass construction.
- Top quality durable ceramic disc valves exceed the industry longevity standards two times for a lifetime of durable performance.
- Elegant modern timeless style design.
- Single lever control for single hole installation.
- Perfect height for use with vessels lavatories.



Codes and Standards

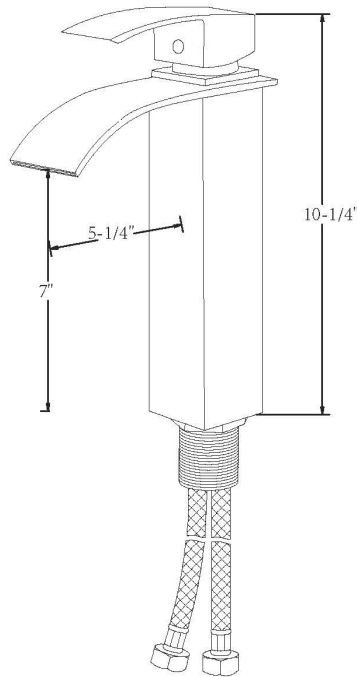
These products meet or exceed the following codes and standards:

- ANSI A117.1
- ASME A112.18.1
- CSA B-125
- NSF 61/SECTION 9 & ANNEX G
- AB1953

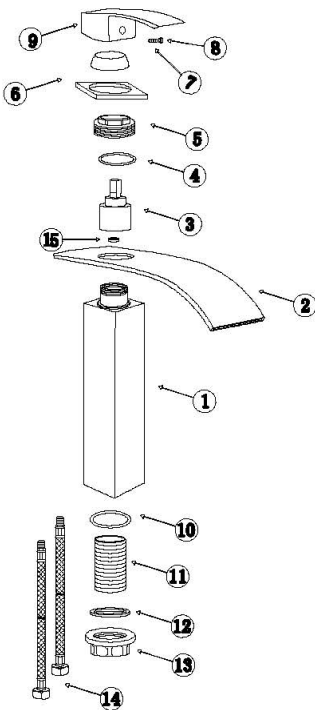
Specified Model & Finish

Model #	Description	Finish
B483SPC	Tall Single Lever Handle Single Hole Lavatory Faucet	Polished Chrome
B483SBN	Tall Single Lever Handle Single Hole Lavatory Faucet	Brushed Nickel

Product Diagram



Parts Explore



No.	Water contact	Description	Material	Finish	Qty
1	Y	Body	Lead-free H59 brass		1
2	Y	Spout	Lead-free H65 brass		1
3	Y	Cartridge	V35D		1
4		O-ring	EPDM		1
5		Pressing nut	H59		1
6		Cover	H59		1
7		Screw	SS304		1
8		Hot-cold Index	ABS		1
9		Handle	Zinc alloy		1
10		O-ring	EPDM		1
11		Pole	H59		1
12		Gasket	EPDM		1
13		Fixing nut	H59		1
14	Y	Flexible hose	96401		2
15	Y	Water valve	N7118F		1