

LENOVA

1500 S Western Ave.

Chicago, IL 60608

Phone: 312-733-1098 Fax: 312-226-1288

Top mount stainless steel sink installation

STEP ONE

Remove old sink (if applicable). For new countertop installation, refer to "For New Counter Installations" on page three of these instructions.

STEP TWO

Check countertop cut-out opening to be sure it is sized properly. Set new sink into opening to see if it fits and ensure the rim sits uniformly on the countertop surface. Enlarge hole, if necessary.

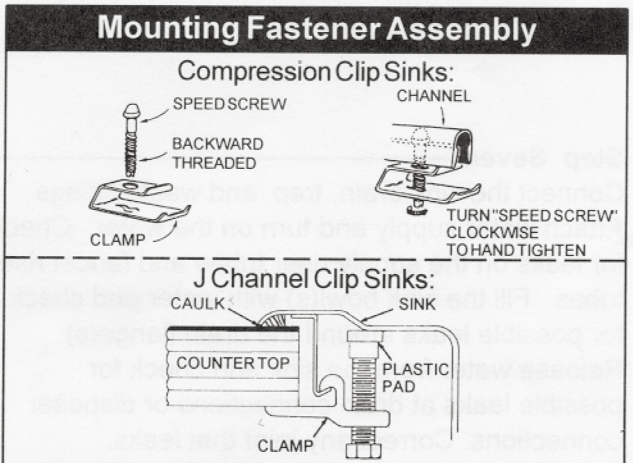
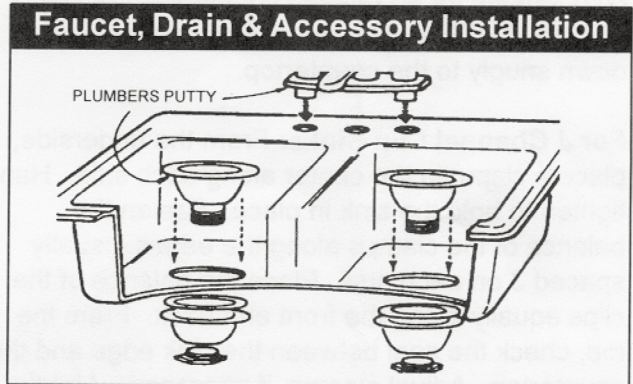
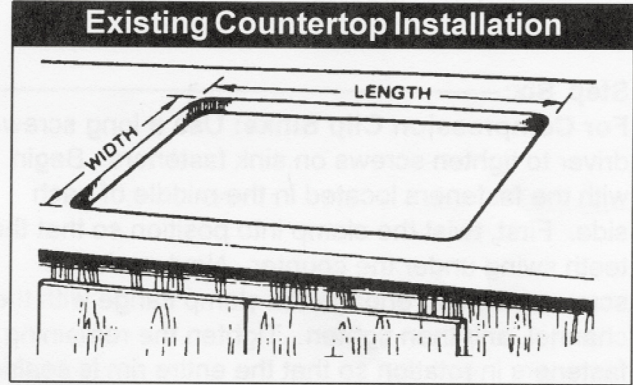
STEP THREE

Attach faucet, drain fittings, and accessories such as disposers or soap dispensers according to the manufacturer's specifications. If re-installing the old fittings on the new sink, use plumber's putty or silicone caulk under the faucet base and flange of drain. If applicable, attach the supply lines at this time.

STEP FOUR

For Compression Clip Sinks: Before installing the sink into the countertop, assemble and insert sink fasteners. Insert speed screw into clamp as shown. Screws are left-hand threaded so that when mounting, the clamps tighten to countertop. Locate the fasteners into channel as shown. Hand tighten each fastener onto the channel so that the clamp teeth point in the same direction, parallel to the channel.

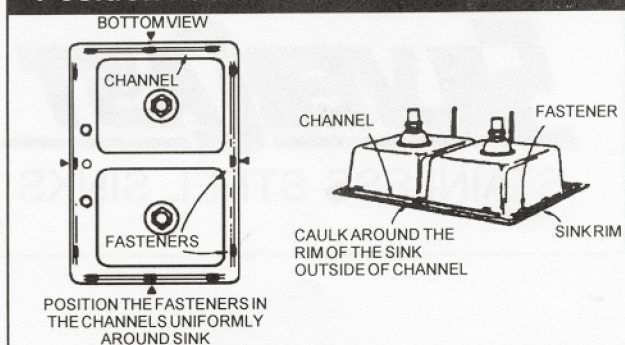
For J Channel Clip Sinks: Preassemble clamps, screws and plastic pads as shown.



STEP FIVE

Place fasteners into positions shown, parallel to the channel. The number of clamps varies between models, so be sure to locate one approximately in the middle of each side. Distribute other fasteners uniformly around the sink (usually three per side). Place a continuous bead of silicone caulk around the perimeter of the sink rim, between the channel and edge. Place the sink into the countertop opening. Line up the front rim with the edge of the countertop.

Position Fasteners & Sink Installation

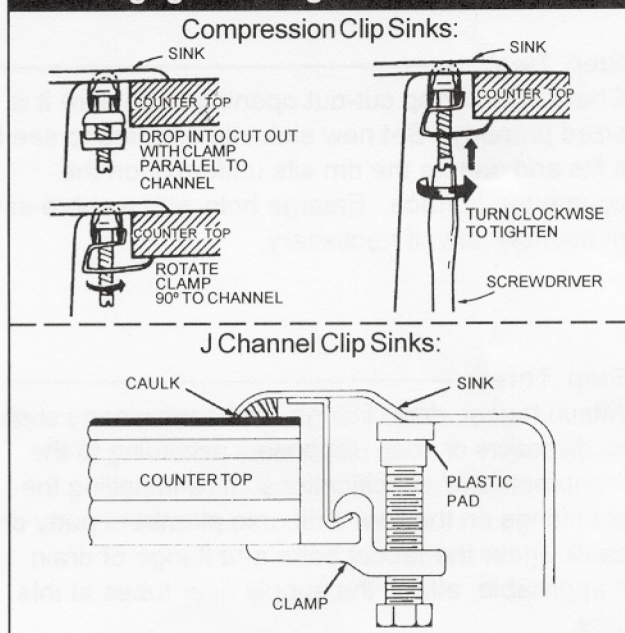


STEP SIX

For compression Clip Sinks: Use a long screwdriver to tighten screws on sink fasteners. Begin with the fasteners located in the middle of each side. First, twist the clamp into position so that the teeth swing under the counter. Next push the screw upward to engage the clamp flange with the channel, and then tighten. Tighten the remaining fasteners in rotation so that the entire rim is sealed to the countertop with no gaps. It may be necessary to slide a fastener into another position to compensate for an uneven countertop. **DO NOT OVERTIGHTEN.** The rim should only be drawn down snugly to the countertop.

For J Channel Clip Sinks: From the underside place a clamp in the center along each side. Hand tighten to hold the sink in place. Fasten the balance of the clamps along the edges, usually spaced 3 on each end. Place the balance of the clips equally along the front and back. From the top, check the seal between the sink edge and the countertop. Adjust clamps, if necessary. Lightly and evenly, tighten the clamps with a screwdriver or socket wrench in rotation until the sink is perfectly sealed.

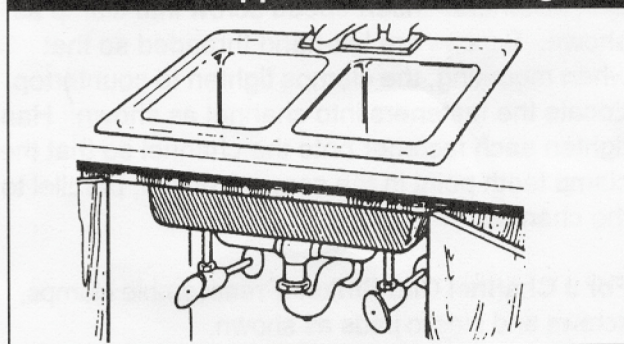
Engage and Tighten Fasteners



STEP SEVEN

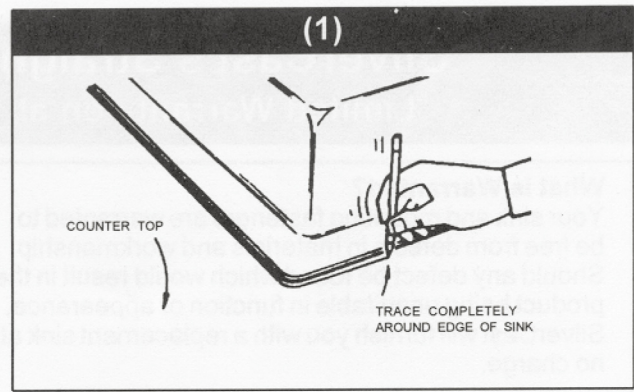
Connect the sink drain, trap, and waste fittings. Attach water supply and turn on the water and check for leaks. Fill the sink bowl(s) with water and check for possible leaks around the drain flange(s). Release water from the sink and check for possible leaks at drain connections or disposer connections. Correct any join that leaks.

Connect Supplies & Drain Fittings



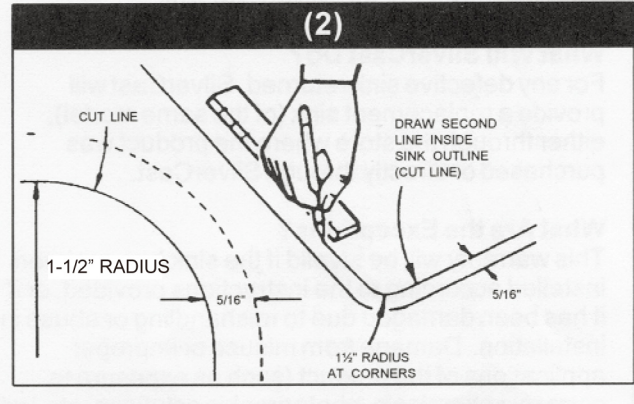
For New Counter Installations:

If countertop must be cut out, locate sink upside down directly above sink compartment. Position the sink, front and rear, so that the sink rim will fit flat on the top surface and that the sink compartments will fit into the cabinet without interfering with the cabinet.



Trace Completely Around Edge:

Be sure sink is centered front to back and centered squarely with the sink cabinet opening. Trace the outside dimension of the sink (1). Draw a second line (cut line) a minimum of 5/16" inside the sink outline (2). CHECK YOUR DIMENSIONS.



Cut Opening & Check Sink Fit:

To cut the sink opening, follow the cut line. Check the countertop cut-out opening to be sure it is sized properly. Set sink into opening to see if it fits and ensure the rim sits uniformly on the countertop surface. Enlarge the hole, if necessary.