

## Farmhouse Sink Installation Guide

### Before You Begin

Unpack the sink. Inspect product for any shipping damages. If you find damages, do not install the sink. Contact Customer Service at 1-866-855-2284.

Due to the manufacturing process, each sink will vary slightly dimensionally.

Farmhouse sinks may require custom cabinetry. We recommend consulting an experienced cabinet maker for assistance. Providing the cabinet maker with the actual sink to be installed will ensure a custom fit.

Please use assistance when lifting the sink in order to avoid personal injury.

Signature Hardware accepts no liability for any damage to the sink, countertop, faucet or personal injury during installation.

### Tools & Materials

Safety Glasses	Drill	Hacksaw	Support Frames
Tape Measure	Framing Square	Wood Braces	Pencil (NOT INK)

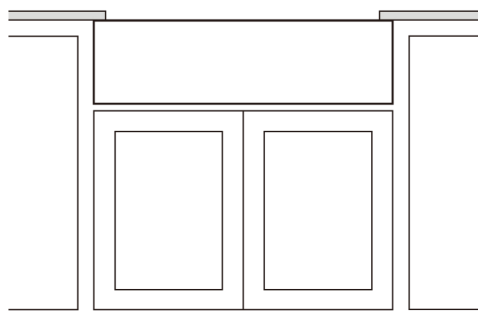
#### Sealant

A variety of sealants are available at [www.SignatureHardware.com](http://www.SignatureHardware.com). For copper sinks, we suggest a copper compatible sealant such as, [Glass, Metal & Vinyl Silicone Sealant](#). Also available are [Stone, Marble & Granite Silicone Caulk](#) and [General Purpose Silicone Sealant](#) great for fireclay, granite, marble and stainless steel sinks.

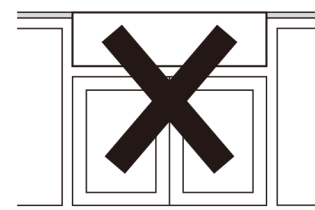
### Installation Options

We recommend undermount sink installation. Flush mount and built-up installation are not recommended.

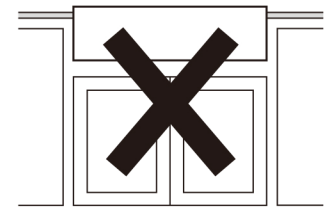
Ensure adequate room for faucet and backsplash installation.



Undermount Installation



Flush mount Installation



Built-up Installation

**Copper** sinks are specially designed for both durability and beauty. Created with a single sheet of heavy gauge copper, our copper farmhouse sinks have no internal welds, strengthening the sink's structure and preventing leakage. The apron front is welded with solid copper by skilled artisans, ensuring both aesthetic appeal and quality.

Copper sinks will patina with time and normal use, creating a much sought-after living finish. If you wish to keep your copper fixture in its original condition and prevent the natural aging process, wipe it dry after each use. Apply wax, such as [Table Top Wax](#) at least once every 15-20 days.

Because of copper's natural composition, cleaning is easy. Simply rinse after each use to rid the surface of any soap or dirt. For a more thorough cleaning, wash occasionally with dish soap and a sponge.

---

**Fireclay** sinks are made of clay that is fired at a heat of over 2,000 degrees Fahrenheit producing an ideal material that is resistant to scratching, staining, fading and discoloring.

Simply use a soft, non-scratching sponge or cloth and a standard liquid soap for everyday cleaning. Use a vinegar-based, non-abrasive liquid or cream bathroom cleaner for tough stains. To avoid scratching, do not use highly aggressive cleaners such as scouring liquids and powders or drain cleaners.

---

**Stone** sinks are individual works of art, carved from a single block of stone. Each block of stone has its own characteristics including color variation, veining, minor pits or flecks of minerals such as copper, silver or gold. Your sink is a one-of-a-kind creation that you can cherish for years to come.

After each use, wipe the basin dry with a soft cloth. Prevent the development of hard water deposits by cleaning regularly with a granite and marble cleaner, such as [StoneTech Revitalizer Cleaner & Protector](#). Refrain from using acidic household cleaners, wipes with harsh chemicals, or abrasives, as these will damage stone. To retain your sink's natural shine, reseal your sink once or twice a year with a product such as [StoneTech Heavy Duty Sealer](#). If staining occurs, use a standard stone and tile stain remover. For more difficult stains, apply a poultice product from StoneTech directly to the stain.

---

**Stainless Steel** sinks are handcrafted from heavy gauge stainless steel, which is extremely durable, but can be scratched or scuffed when not cared for properly. Maintain its beauty with the [Stainless Steel Scratch-B-Gone Kit](#).

To maintain the condition of your stainless steel sink, simply clean daily with mild soap and warm water and wipe dry. Keep sink free of any standing water as this can cause a buildup of mineral deposit affecting the appearance of your sink. Do not leave water spots, steel cookingware or utensils on the sink for lengthy periods; iron particle often develop rust spots in the stainless steel surface.

## Under Counter/Solid Surface Installation

### *Prepare the Cabinet*

Farmhouse sinks may require custom cabinetry. We recommend consulting an experienced cabinet maker for assistance. Providing the cabinet maker with the actual sink to be installed will ensure a custom fit.

Allow clearance for water supply line, drains and garbage disposal, if applicable.

Build a support frame or install support bars front to back along the inner sides of the cabinet. It must support the weight of the sink and all attachments.

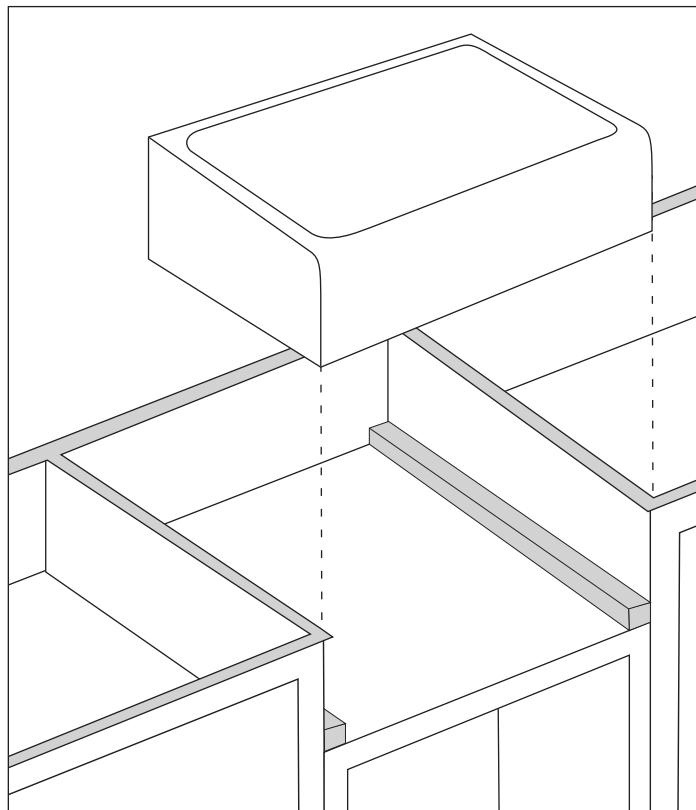
The support frame should be positioned so that when installed, the sink is flush and level with the top of the cabinet. Use shims, if needed, to level the sink.

### *Template and Cutout*

No template is provided since each sink will vary dimensionally. After centering the sink, trace the outline of the sink with a pencil to use as a guide for cutout. Remember to allow clearance for any faucets and/or backsplashes, if applicable. Cut countertop accordingly.

### *Final Placement*

Set the sink and apply sealant used to seal the sink and hold in place. Place countertop onto sink using sealant. Remove any excess sealant from all surfaces.



## ***Manufacturer's Warranty***

***Thank you for purchasing a quality LENOVA farmhouse sink. Each sink is warranted to be free of material and manufacturing defects for life time. Labor charges and/or damage incurred in installation, replacement or repair, as well as any incidental and consequential damages are excluded.***

