

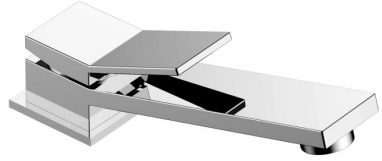


Single Handle Bathroom Faucet

INSTALLATION/OWNER'S MANUAL

Features

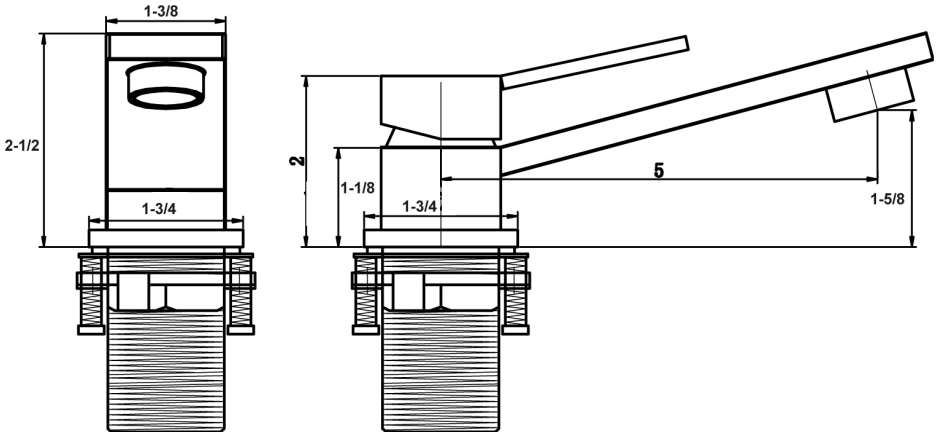
- Brushed Stainless Steel Finish
- Durable Ceramic valve cartridge
- Solid Stainless Steel construction
- Single handle lever for easy use
- Includes hot and cold water supply lines
- Single hole installation (requires 1 hole 1-3/8" diameter)
- 1.5 GPM flow rate at 60 PSI



Dimensions

- Overall Height: 2-1/2"
- Spout Height: 1-5/8"
- Spout Reach: 5"

Single Handle Bathroom Faucet



Tools Needed



Groove point
pliers



Adjustable
wrench



Phillips head
screwdriver

Safety Tips WARNING

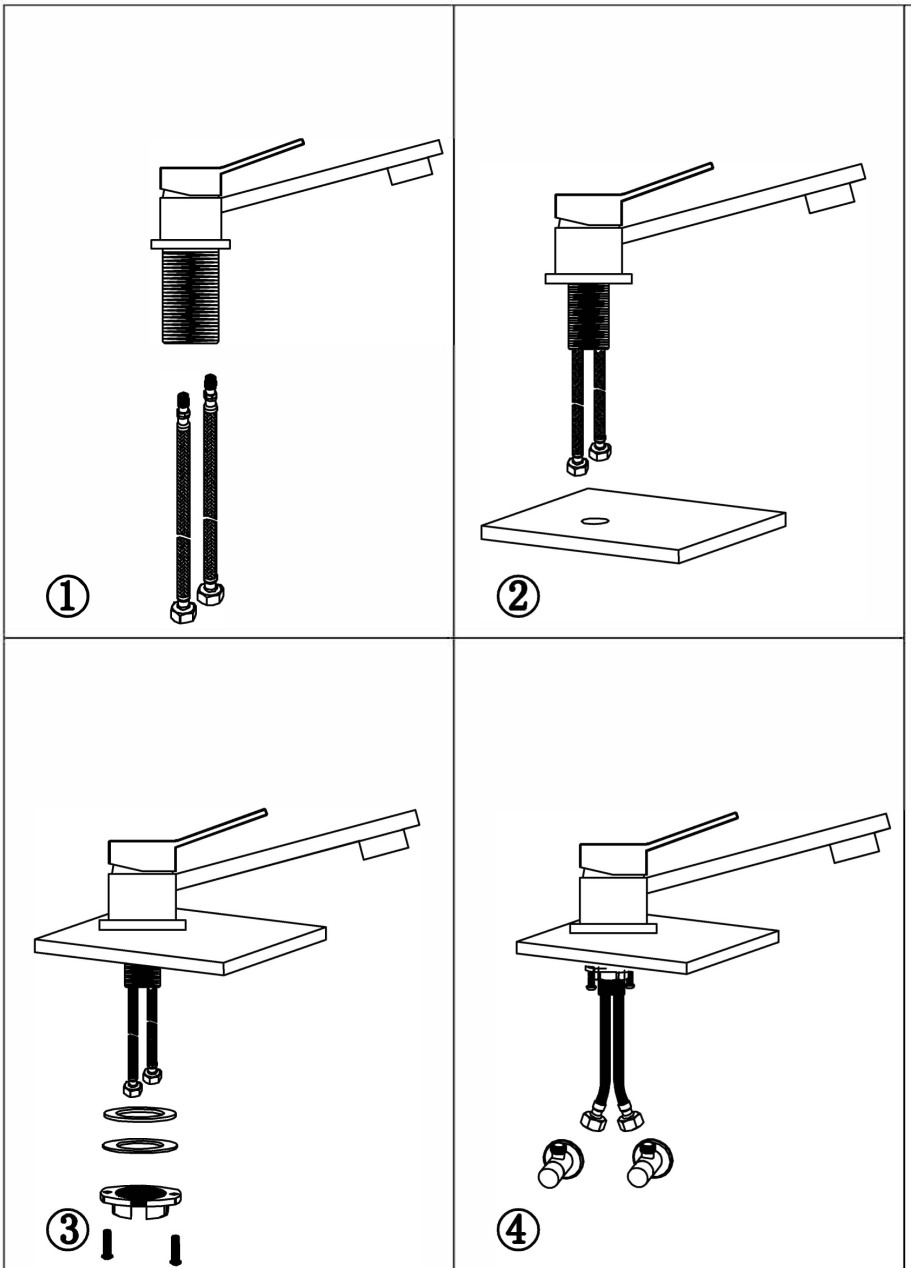
- Lenova recommends that this product only be installed by a licensed professional.
- Always shut off the water supply before removing the existing faucet and/or installing a new one. Open the hot and cold knobs on the existing faucet in order to release built up pressure.
- Always wear safety glasses when cutting or soldering water supply lines
- Keep the drain covered to avoid losing parts.
- Lenova is not liable for any damage to product, counter top, or sink due to improper installation.

Care and Maintenance

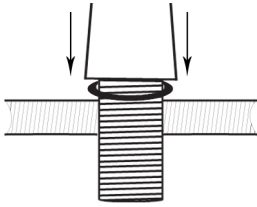
- To preserve the metallic finish of your Lenova faucet, clean periodically with a non-abrasive cleaner and a soft cloth. Using harsh chemicals or materials such as steel wool can scratch or dull the finish of your faucet and/or void your warranty.
- After installation, keep the area directly below the hose and weight clear of any objects such as bottles and cleaning supplies that may interfere with the functionality of the faucet.

LENOVA®

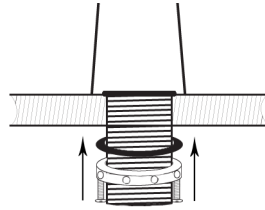
DESIGN INSPIRED BY FUNCTION



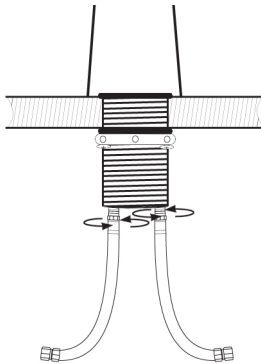
Installation



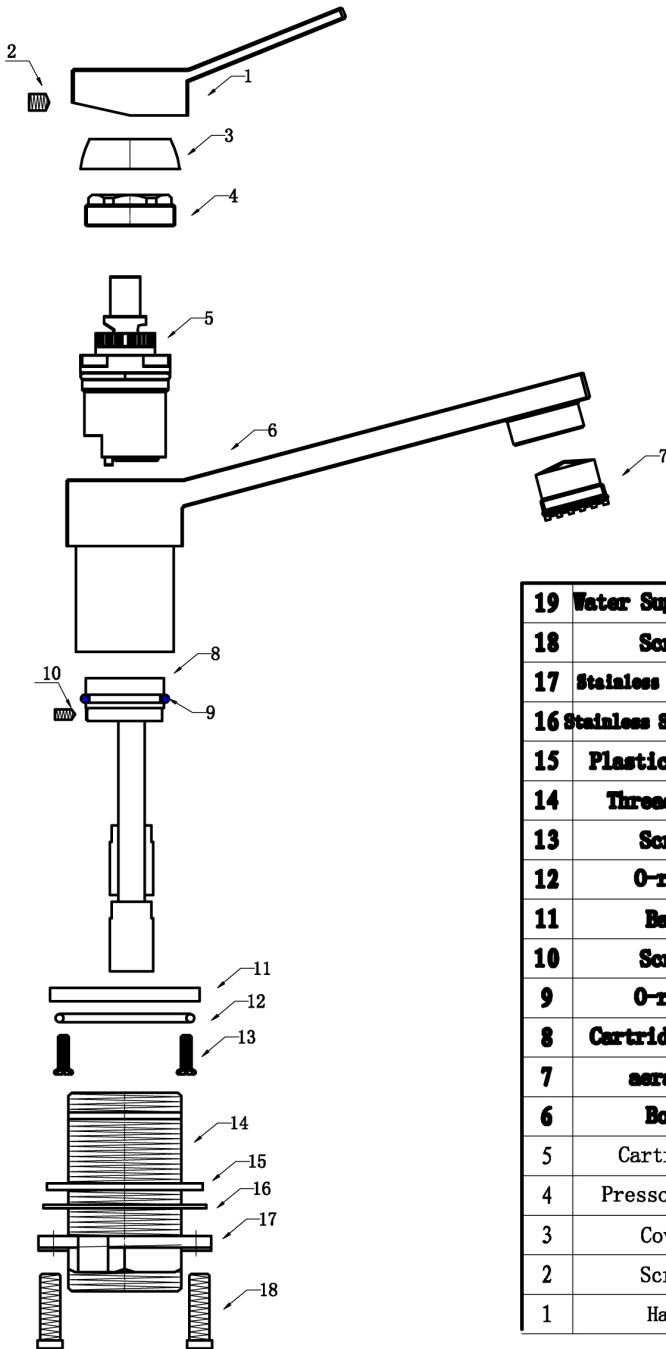
1. Place the new faucet in position through the faucet hole of the sink or countertop. A standard 1-3/8" hole is required for this faucet.



2. From under the sink, attach the plastic rings onto the faucet base, followed by the lock nut. Then tighten the two screws on the lock nut to secure the faucet body in place.



3. Attach the male ends of the hot & cold water connection hoses into the bottom of the faucet body. Then connect the female ends of the hoses to the corresponding hot & cold water supply.



19	Water Supply Line
18	Screw
17	Stainless Steel Nut
16	Stainless Steel Washer
15	Plastic Washer
14	Thread Pole
13	Screw
12	O-ring
11	Base
10	Screw
9	O-ring
8	Cartridge Base
7	erator
6	Body
5	Cartridge
4	Pressong Nut
3	Cover
2	Screw
1	Handle

LENOVA®

DESIGN INSPIRED BY FUNCTION

Troubleshooting



NOTE: Refer to the service parts on the website for a detailed drawing showing the location of the parts listed below.

Problem	Possible Cause	Possible Cause
There are leaks underneath the handle.	The screw nut has come loose and the o-ring on the cartridge is dirty or damaged.	<input type="checkbox"/> Tighten the screw nut. Clean or replace the cartridge or o-ring.
The aerator leaks or has an inconsistent water flow pattern.	The aerator is dirty or misfitted. The cartridge may be clogged.	<input type="checkbox"/> Remove the aerator and check for debris in the aerator screens. <input type="checkbox"/> Remove the cartridge and check for debris. <input type="checkbox"/> Ensure the aerator is properly installed.
There are leaks from the hose underneath the deck.	The supply hose and outlet hose connection may be loose.	<input type="checkbox"/> Tighten the connection of the hoses.
The hose does not retract.	The weight is not installed in the appropriate position.	<input type="checkbox"/> Reinstall or readjust the weight.
The water pressure is low.	The connector underneath the deck is clogged with debris. The aerator is clogged.	<input type="checkbox"/> Turn off the water supply and disconnect the connector / aerator. <input type="checkbox"/> Unscrew the connector / aerator and clean under running water. <input type="checkbox"/> Screw the connector / aerator back. <input type="checkbox"/> Test water flow. If water pressure is still low then replace the connector / aerator.
There is no hot or cold water.	The water supply hose was accidentally kinked during installation and is limiting the water flow through.	<input type="checkbox"/> Reinstall the water supply hose.

WARRANTY

LENOVA warrants the other faucet parts and finishes of the LENOVA residential brand faucets are free from defects in materials and workmanship for 10 years. This warranty covers the original consumer purchaser of the product only.

If the product should leak or drip during normal use, LENOVA will provide, free of charge, a replacement cartridge. For other defects in material or workmanship, LENOVA will, at its option, supply replacement parts (or if no longer available a comparable product). LENOVA reserve the rights to examine product in question and its installation prior to replacement.

What is not covered:

1. Damage caused by accident, negligence, misuse, abuse, improper installation or operation or failure to follow care or installation instructions enclosed with your product.
2. Damage occurring during shipment of the product (claims must be presented to the carrier).
3. Normal wear and tear.
4. Labor charges, costs of removal and reinstallation, and any damages to other property.
5. All industrial, commercial and business use whose purchasers are hereby extended a limited lifetime on mechanical parts and 5 years on finish.

What you must do to obtain warranty service:

Either write to LENOVA, attention Customer Care, 4580 Roosevelt Rd. Hillside, IL 60162 or call 1-312-733-1098. Please provide date of purchase and installation, description of nature of the defect, and model number or description of model and/or component part number.

LENOVA®
DESIGN INPIRED BY FUNCTION