

SUBMITTAL SHEET

JOB NAME	ITEM TAG
JOB LOCATION	PART NUMBER
CONTRACTOR	DATE
ENGINEER APPROVAL	DATE

LEAD-FREE TANKLESS WATER HEATER VALVE KIT

with hot & cold isolation valves and pressure relief valve

Lead-free design is suitable for all no-lead potable water installations, in full compliance of all lead-free plumbing laws.

Full port, positive-shutoff ball-type design permits trouble-free servicing operations and water heater performance.

Dual O-ring stem seals are maintenance-free and designed to seal under pressure and temperature fluctuations.

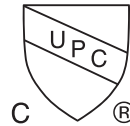
Captured-union nut and adapter tank connections permit unlimited valve positioning and ease-of-installation onto all tankless water heater types.

Integral, capped drain valves are Allen™ wrench (hex) or screwdriver-operated, permitting heater servicing, maintenance and operation, without the possibility of dangerous accidental or unauthorized drain valve use.

150 PSI pressure relief valve included in each kit. Optional medium-capacity (2,703,000 BTU/hr) sold separately.

Available in 3/4" and 1" FNPT or sweat (cold) inlet valve and (hot) outlet valve connections. Color-coded handles allow quick identification of either type.

- Third-party tested and certified in compliance with U.S. Federal Public Law 111-380.
- Pressure relief valve is ASME listed and ANSI Z21.22 / CSA 4.4 compliant:
 - CSA rated to 200,000 btu/hr.
 - ASME rated to 150 psi and 500,000 btu/hr.
- End connections comply with the following specifications:
 - FNPT: ANSI/ASME B1.20.1
 - Female sweat: ASME B16.18
 - Garden hose threads: ASME B1.20.1
- Manufactured in an ISO 9002 accredited facility.



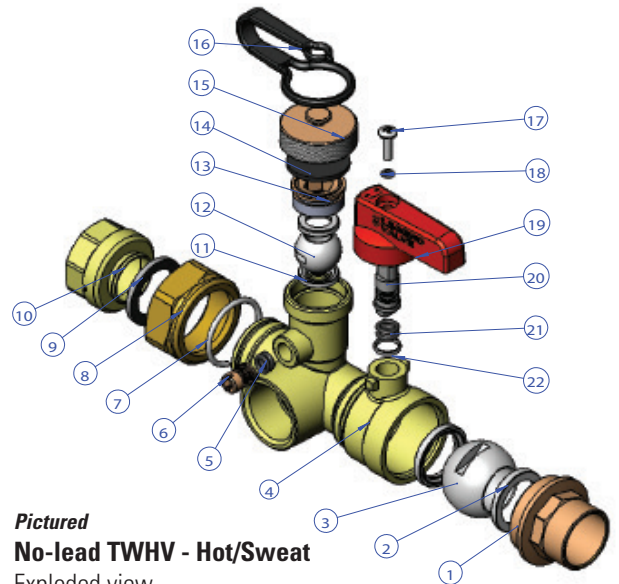
Pictured
No-lead TWHV kit with pressure relief valve

Working Pressure, Non Shock (PSI)

Cold working pressure (CWP):	600 p.s.i.
Saturated steam (WSP):	Not suitable for steam service

MATERIAL SPECIFICATION

PART	MATERIAL	SPECIFICATION
1 End adapter	Lead-free forged brass	UNS Alloy C46500
2 Seats (2)	PTFE	Commercial grade
3 Ball	Lead-free forged brass	UNS Alloy C46500
4 Body	Lead-free forged brass	UNS Alloy C46500
5 Drain valve stem O-rings (2)	EPDM rubber	Commercial grade
6 Drain valve stem	Lead-free forged brass	UNS Alloy C46500
7 Union nut capture ring	Stainless steel	AISI Grade 304
8 Union nut	Forged brass	UNS Alloy C37700
9 Union gasket	EPDM rubber	Commercial grade
10 Female adapter	Lead-free forged brass	UNS Alloy C46500
11 Drain valve seats (2)	PTFE	Commercial grade
12 Drain valve ball	Lead-free forged brass	UNS Alloy C46500
13 Drain valve seat/ball retainer	Lead-free forged brass	UNS Alloy C46500
14 Cap gasket	EPDM rubber	Commercial grade
15 Drain valve cap (GHT)	Forged brass	UNS Alloy C37700
16 Cap tether	Flexible PVC	Commercial grade
17 Handle screw	Stainless steel	AISI Grade 304
18 Screw washer	Spring steel	ASTM A29
19 Handle	Aluminum	Commercial grade
20 Stem	Lead-free forged brass	UNS Alloy C46500
21 Stem O-rings (2)	EPDM rubber	Commercial grade
22 Stem anti-friction thrust washer	PTFE	Commercial grade



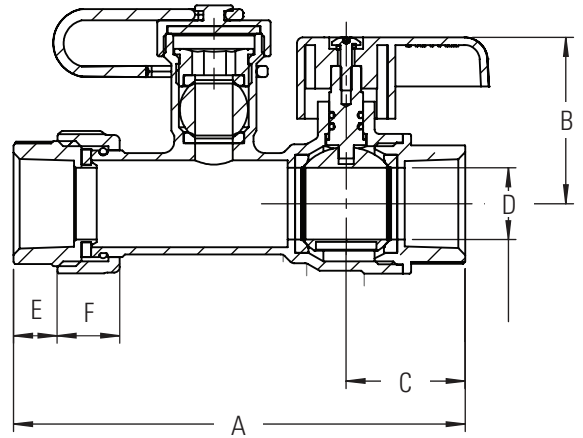
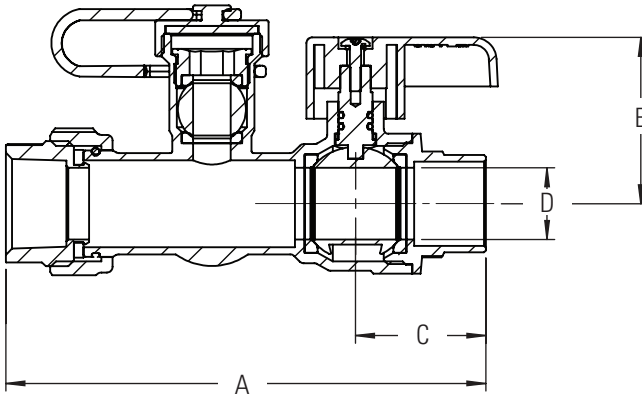
Pictured
No-lead TWHV - Hot/Sweat
Exploded view

SUBMITTAL SHEET

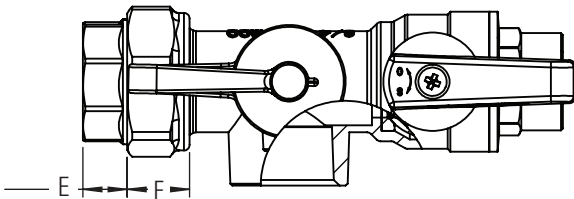
JOB NAME		ITEM TAG
JOB LOCATION		PART NUMBER
CONTRACTOR	DATE	
ENGINEER APPROVAL	DATE	

DIMENSIONS

Nominal Size	A	B	C	D	E	F
3/4" FNPT	4.71	1.73	1.24	0.75	0.46	0.65
3/4" Sweat	5.00	1.73	1.36	0.75	0.46	0.65
1" FNPT	5.76	2.26	1.45	1.00	0.73	0.77
1" Sweat	5.80	2.26	1.60	1.00	0.73	0.77



Pictured
No-lead TWHV - Cold/FNPT
Cut-away



Pictured
No-lead TWHV - Hot/Sweat
Cut-away and Top view