

SUBMITTAL SHEET

JOB NAME	ITEM TAG
JOB LOCATION	PART NUMBER
CONTRACTOR	DATE
ENGINEER APPROVAL	DATE

LEAD-FREE MULTI-TURN ANTI-SIPHON FREEZE-RESISTANT SILLCOCK

TM-550NL and TM-550PNL

Lead-free design is suitable for all no-lead potable water installations, in full compliance of all lead-free plumbing laws.

Patented, rubber-coated handwheel is easy to operate with wet or gloved hands. The UV stabilized rubber coating resists sunlight cracking and weathering.

Oversized, angled mounting flange with screw slots covers enlarged, over-drilled sill holes, facilitates the correct downward drainage pitch and mounts more easily and securely than smaller flanges with notches.

Lockshield packing nut extends beyond the end of the stem, permitting handle removal, which prevents unauthorized operation.

All body segments are chrome-plated, providing better corrosion-resistance over competitor's un-plated versions.

Available in nominal sizes (inlet connection): 3/4" MNPT / 1/2" FNPT, 1/2" FNPT / 1/2" sweat and 1/2" PEX.

Working Pressure, Non Shock (PSI)

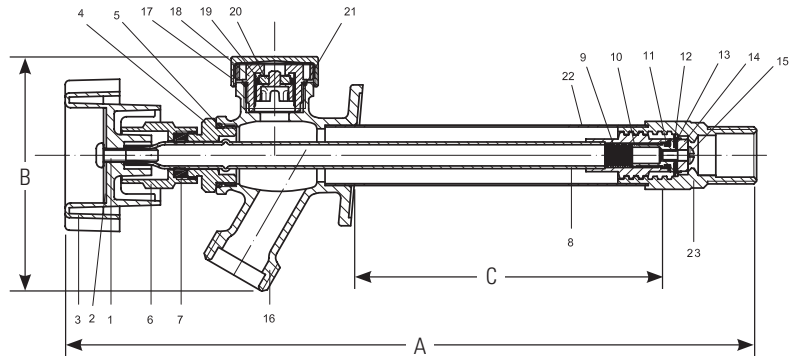
Cold working pressure (CWP): 125 p.s.i.
Saturated steam (WSP): Not Suitable for Steam Service

- Third-party tested and certified in compliance with U.S. Federal Public Law 111-380 (National lead-free plumbing law).
- A.S.S.E 1019 Certified
- End connections comply with the following specifications:

- ANSI / ASME B1.20.1 (MNPT and FNPT)
- ANSI / ASME B16.18 (CTS solder)
- ASTM F1807 (PEX barb)
- ANSI / ASME B1.20.7 (male garden hose outlet)



Pictured TM-550NL



Pictured TM-550NL
Cutaway view

MATERIAL SPECIFICATION

PART	MATERIAL	SPECIFICATION
1	Handle screw	Lead-free forged brass
2	Identification disc	Aluminum
3	Handwheel	Aluminum & TPR rubber
4	Bonnet nut	Lead-free forged brass, chrome-plated
5	Bonnet nut O-ring	NBR (Nitrile) rubber
6	Packing nut	Forged brass
7	Stem packing	NBR (Nitrile) rubber
8	Stem	Lead-free forged brass
9	Piston check spring	Stainless steel
10	Piston check	Lead-free forged brass
11	Piston check O-ring	EPDM rubber
12	Piston check diaphragm	EPDM rubber
13	Seat washer cup	Lead-free forged brass
14	Seat washer	EPDM rubber
15	Seat washer screw	Lead-free forged brass
16	Body (exterior)	Lead-free brass, chrome plated
17	Vacuum breaker cap	Forged brass, chrome-plated
18	Vacuum breaker body	POM acetal resin
19	Vacuum breaker piston	POM acetal resin
20	Vacuum breaker seat washer	NBR (Nitrile) rubber
21	Vacuum breaker O-ring	NBR (Nitrile) rubber
22	Body tube (interior)	Lead-free forged brass, chrome-plated
23	End adapter (interior)	Lead-free forged brass, chrome-plated



DIMENSIONS

Size	A (open)	B	C
			Nominal length
4"	9.88	3.40	4.00
6"	11.88	3.40	6.00
8"	13.88	3.40	8.00
10"	15.88	3.40	10.00
12"	17.88	3.40	12.00
14"	19.88	3.40	14.00