

SUBMITTAL SHEET

JOB NAME	ITEM TAG
JOB LOCATION	PART NUMBER
CONTRACTOR	DATE
ENGINEER APPROVAL	DATE

MULTI-TURN ANTI-SIPHON FREEZE-RESISTANT SILLCOCK

TM-550 and TM-550P

Patented, rubber-coated handwheel is easy to operate with wet or gloved hands. The UV stabilized rubber coating resists sunlight cracking and weathering.

Oversized, angled mounting flange with screw slots covers enlarged, over-drilled sill holes, facilitates the correct downward drainage pitch and mounts more easily and securely than smaller flanges with notches.

Lockshield packing nut extends beyond the end of the stem, permitting handle removal, which prevents unauthorized operation.

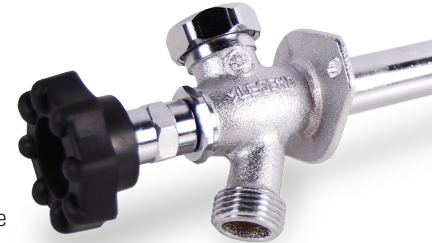
All body segments are chrome-plated, providing better corrosion-resistance over competitor's un-plated versions.

Available in nominal sizes (inlet connection): 1/2" MNPT / 1/2" Sweat, 3/4" MNPT / 1/2" FNPT and 1/2" PEX.

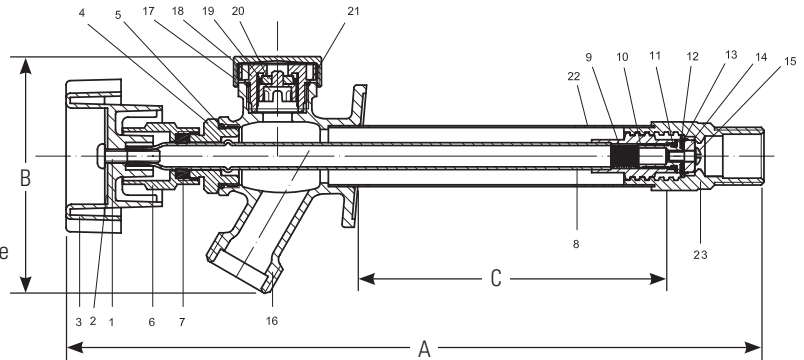
Working Pressure, Non Shock (PSI)

Cold working pressure (CWP): 125 PSI
Saturated steam (WSP): Not Suitable for Steam Service

- A.S.S.E 1019 Certified
- End connections comply with the following specifications:
 - ANSI / ASME B1.20.1 (MNPT and FNPT)
 - ANSI / ASME B16.18 (CTS solder)
 - ASTM F1807 (PEX barb)
 - ANSI / ASME B1.20.7 (male garden hose outlet)



Pictured TM-550



MATERIAL SPECIFICATION

PART	MATERIAL	SPECIFICATION
1	Handle screw	Forged brass UNS Alloy C26000
2	Identification disc	Aluminum Commercial grade
3	Handwheel	Aluminum & TPR rubber Commercial grade
4	Bonnet nut	Forged brass, chrome-plated UNS Alloy C36000
5	Bonnet nut O-ring	NBR (Nitrile) rubber Commercial grade
6	Packing nut	Forged brass UNS Alloy C36000
7	Stem packing	NBR (Nitrile) rubber Commercial grade
8	Stem	Forged brass UNS Alloy C27000
9	Piston check spring	Stainless steel AISI Grade 304
10	Piston check	Forged brass UNS Alloy C36000
11	Piston check O-ring	EPDM rubber Commercial grade
12	Piston check diaphragm	EPDM rubber Commercial grade
13	Seat washer cup	Forged brass UNS Alloy C26000
14	Seat washer	EPDM rubber Commercial grade
15	Seat washer screw	Forged brass UNS Alloy C26000
16	Body (exterior)	Brass, chrome plated UNS Alloy C85700
17	Vacuum breaker cap	Forged brass, chrome-plated UNS Alloy C36000
18	Vacuum breaker body	POM acetal resin COPOLYMER 090
19	Vacuum breaker piston	POM acetal resin COPOLYMER 090
20	Vacuum breaker seat washer	NBR (Nitrile) rubber Commercial grade
21	Vacuum breaker O-ring	NBR (Nitrile) rubber Commercial grade
22	Body tube (interior)	Forged brass, chrome-plated UNS Alloy C27000
23	End adapter (interior)	Forged brass, chrome-plated UNS Alloy C36000



Pictured TM-550
Cutaway view

DIMENSIONS

Size	A (open)	B	C
	Nominal length		
4"	9.88	3.40	4.00
6"	11.88	3.40	6.00
8"	13.88	3.40	8.00
10"	15.88	3.40	10.00
12"	17.88	3.40	12.00
14"	19.88	3.40	14.00